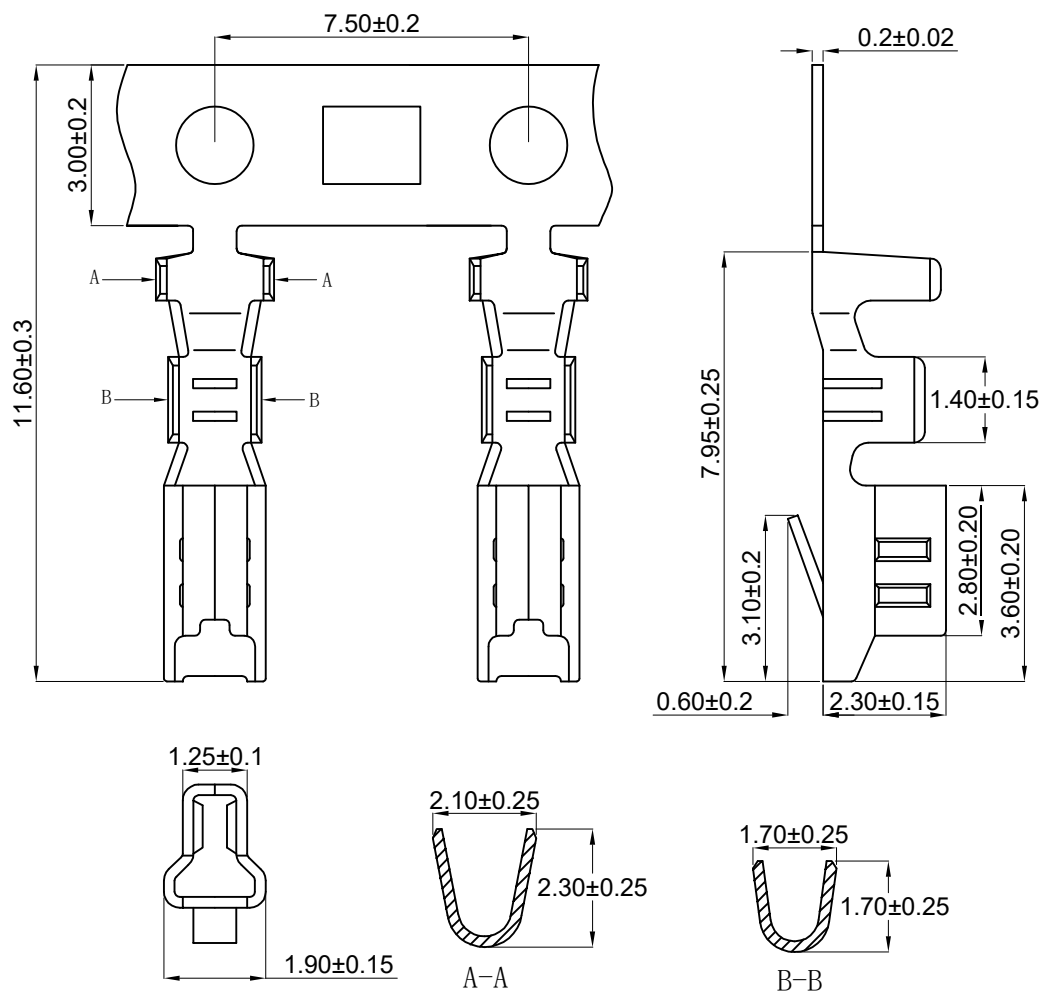


RoHS



TECHNICAL PARAMETERS:

Rated Current: 3A AC/DC

Voltage Rated: 250V AC/DC

Withstand voltage: 1000V AC/minute

Insulation resistance: 1000MΩ min

Contact resistance: 20mΩ(Max)

Operating temperature: -25°C ~ +85°C

Material:

Applicable wires:AWG28-22#

Material:Phosphor Bronze

Finish: Tin Plated



Ordering Information

SCT2521 FT P S 169

Material
P=Phosphor bronze

Contact Plating
G=Gold Plated
S= Tin Plated

SCONDAR ELECTRONIC,LTD
ENGINEER XJ2412

					OPERATION	DRAW	YaoQ	2016.06.15	SCALE	—	 SCONDAR ELECTRONIC LIMITED
					X.X ±0.35	DESIGN	Lyao	2016.06.16	UNIT	mm	
					X.XX ±0.25	CHECK	Lisa	2016.06.18	SIZE	A4	
					X.XXX ±0.15	APPROVE			SHEET	1/1	
AO	2016.06.18	NEW	—	—	Angle ±3°				PART NO.		SCT2521FTPS169
REV	DATE	MODIFICATION DESCRIPTION	CHANGE	APPROVE	DIM TOL	APPROVE			PROJ.	 TITLE:	25048HS 2.50mm Phosphor bronze Tin Plated Female Terminal 22-28AWG MPQ=8KPCS/Reel