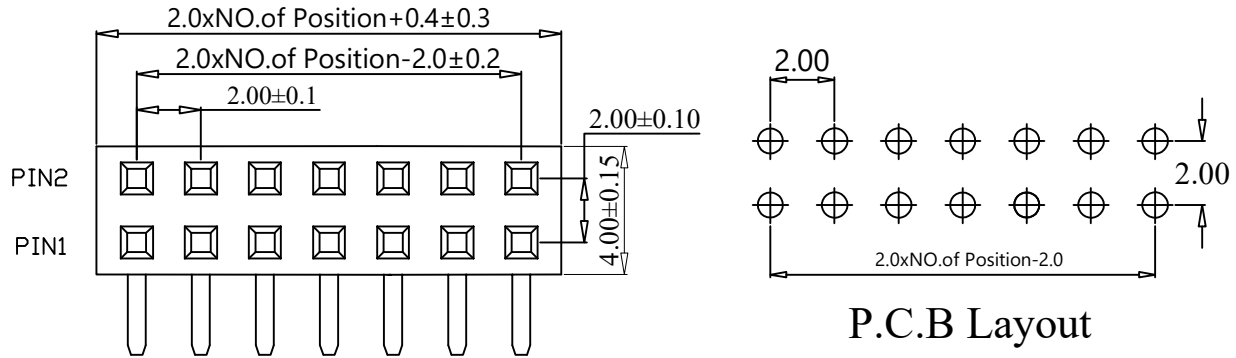


RoHS

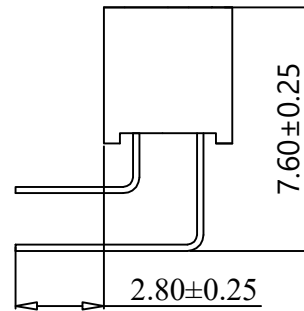
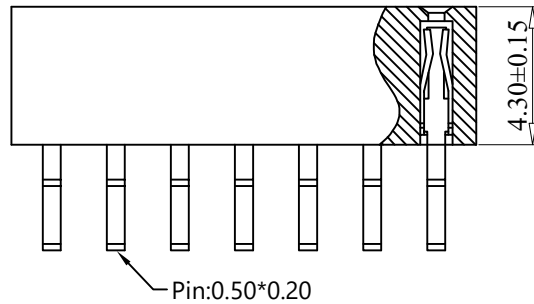
受控



P.C.B Layout

SPECIFICATION:

- Current Rating: 1.5Amps
 - Insulation Resistance: 1000MΩ Min
 - Contact Resistance: 20mΩ Max
 - Withstanding Voltage: 500VAC(1Min)
 - Max Processing Temp: 230°-260° for 30-60s
 - Operation Temperature: -40°C to +105°C
- Material:
- Insulator (Housing): PA6T (UL94V-0)
 - Black Contacts: Brass




Ordering Information

FH200H430 RT-2xx G A 0 301

430=4.30mm
 No. of Pins 220=2x20PIN
 Plating G=Gold Plated T=Tin Plated G2=Gold 2u" G10=Gold 10u"
 Material A=PA6T
 Package 0=PE Bag 1=Tape&Reel 2=Tube 3=Tray

SCONDAR ELECTRONIC LTD
ENGINEER LIA APPROVED

					OPERATION	DRAW	Yang	2017.11.15	SCALE	-	 SCONDAR ELECTRONIC LIMITED
					X.X	±0.35			UNIT	mm	
					X.XX	±0.25			SIZE	A4	
					X.XXX	±0.15			SHEET	1/1	
AO	2021.04.13		NEW		Angle	± 3'	Lisa	2017.11.17	PART NO.	FH200H430RT-2xxGA0301	
REV	DATE		MODIFICATION DESCRIPTION	CHANGE	DIM	TOL	APPROVE		PROJ.	TITLE:	FH2.0 H4.3 RT Gold flash PA6T 2xxP Female header