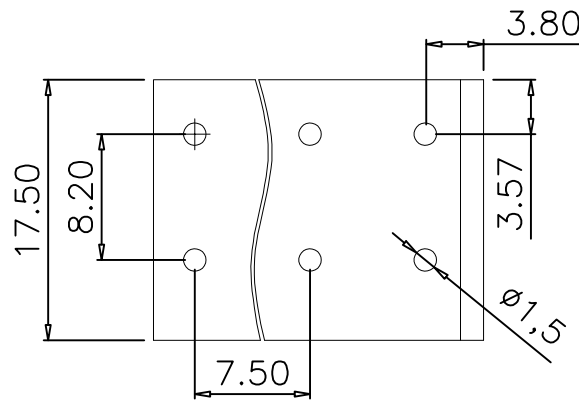
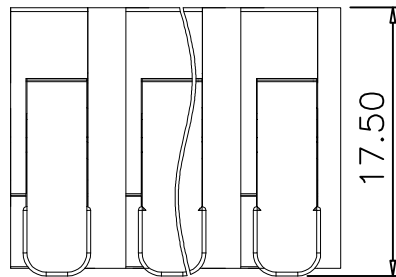
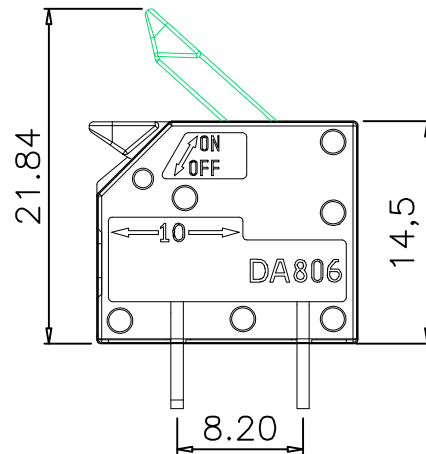
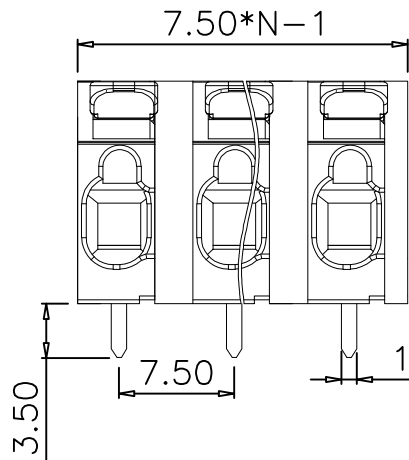


RoHS



项目/参数/认证	
额定电压(Rated Voltage) [V]	450
额定电流(Rated Current) [A]	32
额定线径平方(Wire Range mm ²)	0.34-4.0
额定线径线号(Wire Range AWG)	22-12
冲击电压 Impulse withstand voltage	4 (KV)
剥线长度(Stripping Length) [mm]	10-11 (mm)
绝缘材料(Insulation Material)	PA66 UL94V-0
导体材料(Contact Material)	红铜(Red brass)
导体表面镀层(Contactive Coating)	镀锡 (Dumb tin)
间距(Pitch) [mm]	7.5
级数(Poles) [P]	2-32P
工作温度(Operating temperature) [°C]	-40°C ~ +105°C
焊锡温度(Soldering temperature) [°C]	250°C / 5S


Ordering Information

SCT806R - 7.50-XX B 1 658

Series NO. Spacing No. of Pins 02-32Pin Material B=PA66 V0 COLOUR
 1. Gray 2. Blue
 3. Black 4. Green
 5. Orange 6. Red
 7. Yellow 8. White
 9. Transparent

SCONDAR ELECTRONIC LIMITED
 ENGINEER LIU APPROVED

linear dimension (Tolerances Standard GB/T 14486-2008)							—	∕	⊥	
variable range	to	over 6 to 10	over 10 to 30	over 30 to 60	over 60 to 100	over 100 to 160	to	over 10 to 100	over 100 to	
tolerance	±0.20	±0.30	±0.50	±0.70	±1.00	±1.30	±1.60	0.10	0.30	0.60

DRAW	Zhong	2020.08.02	SCALE	—	 SCONDAR ELECTRONIC LIMITED	
DESIGN			UNIT	mm		
CHECK	Lisa	2020.08.02	SIZE	A4		
APPROVE	Allen	2020.08.02	SHEET	1/1	PART NO.	SCT806R-7.50-XXB1658
			PROJ.	⌀	TITLE:	Terminal 806WR pitch7.50x8.20mm 02P-32P PC3.5 Gray PA66-V0 Red Brass Sn-plated 22-12AWG