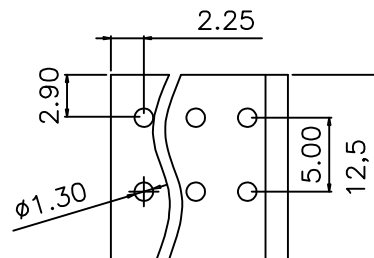
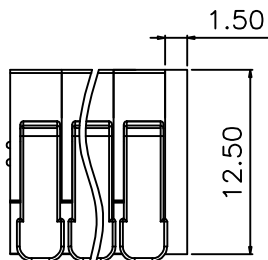
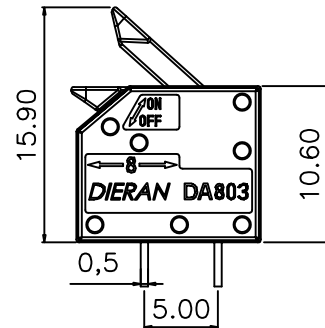
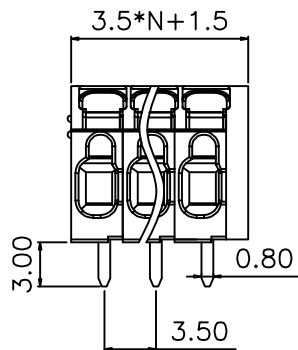


RoHS



| | |
|--|--|
| 项目/参数/认证 | |
| 额定电压(Rated Voltage) [V] | 250 |
| 额定电流(Rated Current) [A] | 10 |
| 额定线经平方(Wire Range mm ²) | 0.2-1.5 |
| 额定线经线号(Wire Range AWG) | 24-16 |
| 冲击电压 Impulse withstand voltage | 4 (KV) |
| 剥线长度(Stripping Length) [mm] | 8-9 (mm) |
| 绝缘材料(Insulation Material) | PA66 UL94V-0 |
| 导体材料(Contactactor Material) | 黄铜(brass) |
| 导体表面镀层(Contactive Coating) | 镀锡 (Dumb tin) |
| 间距(Pitch) [mm] | 3.5 |
| 级数(Poles) [P] | 2-32P |
| 工作温度(Operating temperatur) ^o C] | -40 ^o C~+105 ^o C |
| 焊锡温度(Soldering temperatur) ^o C] | 250 ^o C/5S |


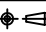
Ordering Information

SCT803R - 3.50-XX B 1 658

Series NO. Pitch No.of Pins 02-32Pin Material B=PA66 V0 COLOUR
 1. Gray 2. Blue
 3. Black 4. Green
 5. Orange 6. Red
 7. Yellow 8. White
 9. Transparent

SCONDAR ELECTRONIC LIMITED
 ENGINEER LIU APPROVED

| linear dimension (Tolerances Standard GB/T 14486-2008) | | | | | | | | | | |
|--|-------|--------------|---------------|---------------|----------------|-----------------|-------|----------------|-----------------|------|
| variable range | to | over 6 to 10 | over 10 to 30 | over 30 to 60 | over 60 to 100 | over 100 to 160 | to 10 | over 10 to 100 | over 100 to 160 | |
| tolerance | ±0.20 | ±0.30 | ±0.50 | ±0.70 | ±1.00 | ±1.30 | ±1.60 | 0.10 | 0.30 | 0.60 |

| | | | | | |
|---------|-------|------------|-------|---|---|
| DRAW | Zhong | 2020.08.02 | SCALE | - |  SCONDAR ELECTRONIC LIMITED |
| DESIGN | | | UNIT | mm | |
| CHECK | Lisa | 2020.08.02 | SIZE | A4 | |
| APPROVE | Allen | 2020.08.02 | SHEET | 1/1 | PART NO. SCT803R-3.50-XXB1658 |
| | | | PROJ. |  | TITLE: Terminal 806WR pitch3.50x5.00mm 02P-32P PC3.0 Gray PA66-V0 Brass Sn-plated for 24-16AWG |