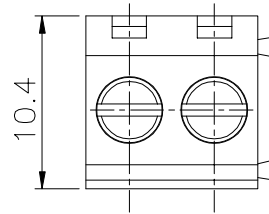
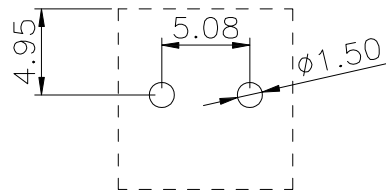
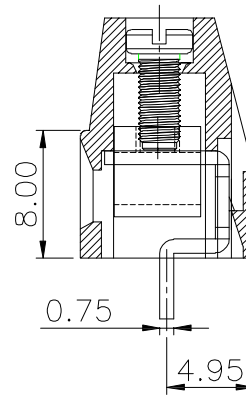
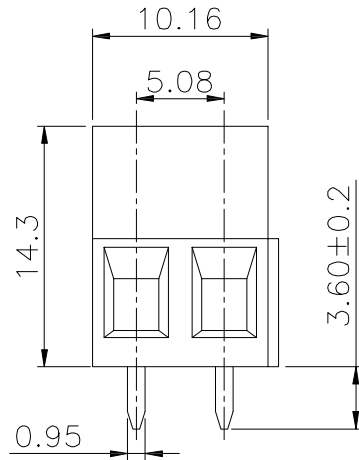


RoHS



NOTE 1:  
 UL Standard  
 1. Rated voltage/Rated current: 300V/10A  
 2. Withstanding Voltage: AC1600V/Min  
 3. Wire range: 30~12AWG  
 IEC Standard  
 1. Rated voltage/Rated current: 250V/18A



PCB LAYOUT

**Ordering Information**

SCT128V - 5.08-02 B 4 650  
 Series NO.      No. of Pins See Table      Material B=PA66 V0

4	(Cage) 方盒	Copper alloy 铜合金	(Ni plated) 镀镍	Pitch range in mm 其他尺寸公差 mm	Nominal dimension range in mm	0.1/10	DRAW	Zhong	2020.08.02	SCALE	-	SCONDAR	SCONDAR ELECTRONIC LIMITED
3	(Contact) 触点	Copper alloy 铜合金	(Sn plated) 镀锡										
2	(Screw) 螺丝 M3	Steel 钢	(Ni plated) 镀镍	≤6	30 ~ 60	0.1/10	DESIGN						
1	(Housing) 塑件	PA66	UL94V-0	6 ~ 10 10 ~ 24	60 ~ 100	100 ~ 150	CHECK	Lisa	2020.08.02	UNIT	mm		
TEM	NAMF OF PART	MATFRIAL	NOTFS	±0.15 ±0.20 ±0.30	±0.20 ±0.30 ±0.50 ±0.70 ±1.00	±1'	APPROVE	Allen	2020.08.02	SIZE	A4	PART NO.	SCT128V-5.08-02B4650
							PROJ.			SHEET	1/1	TITLE:	/