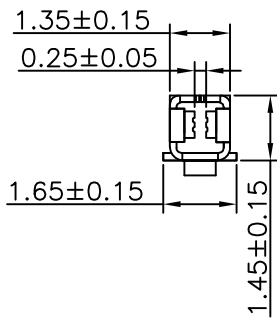
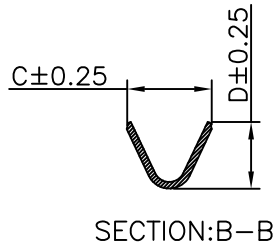
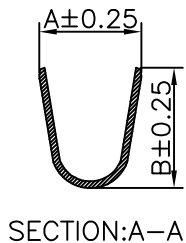
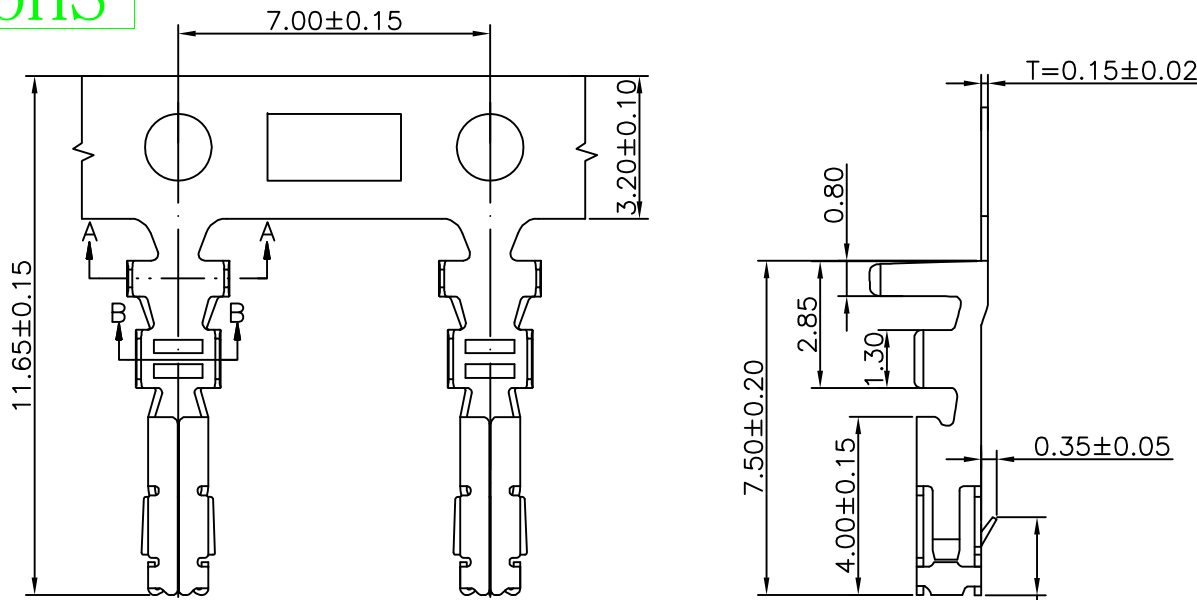


RoHS



Specification:

- Current Rating: 3A AC/DC
- Voltage Rating: 250V AC/DC
- Insulation Resistance: 1000MΩ(Min)
- Contact resistance: 20mΩ(Max).
- Withstanding Voltage: 1500VAC(Min)
- Operation Temperature: -25°C to +85°C

Material:

- Wire Range: 22-28AWG
- Material: Phosphor Bronze, T=0.15mm
- Finish: Tin Plated
- Q'TY: 8,000Pcs/Reel

Ordering Information

SCT2020 xx P S 162

Wire range: TA=High Foot, TL=Low Foot
 Material: P=Phosphor Bronze
 Contact Plated: S=Tin Flash

Part No.	Wire range	Dim.A	Dim.B	Dim.C	Dim.D
SCT2020TLPS162	24~28AWG	2.20	2.40	1.65	1.30
SCT2020TAPS162	22~26AWG	2.30	2.70	1.90	1.50

					OPERATION	DRAW	Peng	2021.03.15	SCALE	-	 SCONDAR ELECTRONIC LIMITED
					X.X ±0.35	DESIGN			UNIT	mm	
					X.XX ±0.25		CHECK	Lisa	2021.03.15	SIZE	
AO	2021.03.15	NEW			X.XXX ±0.15	APPROVE	Allen	2021.03.15	SHEET	1/1	
REV	DATE	MODIFICATION DESCRIPTION	CHANGE	APPROVE	Angle ± 3'	DIM TOL			PROJ.	⌀	TITLE: PUD 2.00mm Terminal