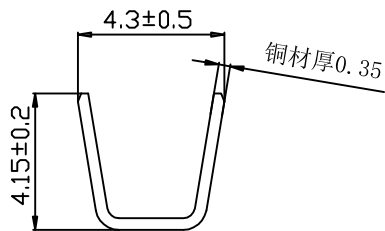
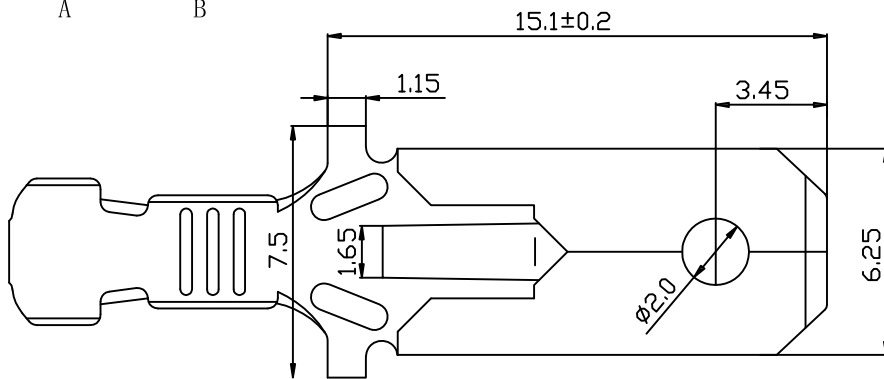
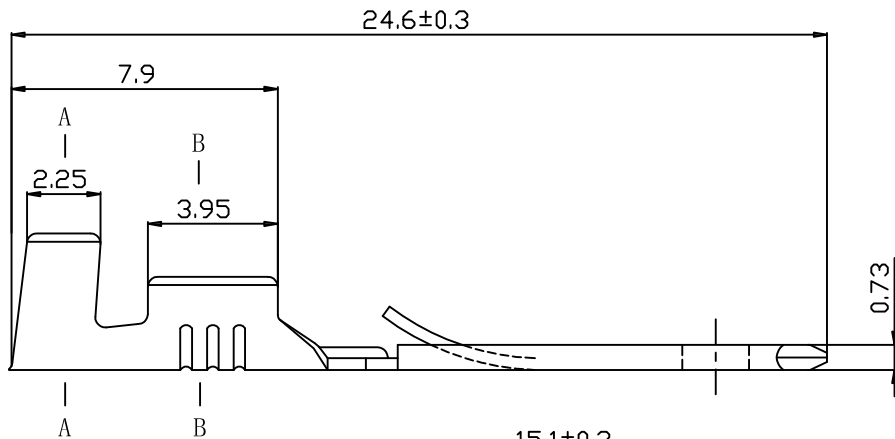
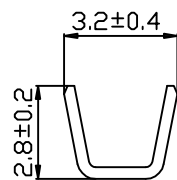


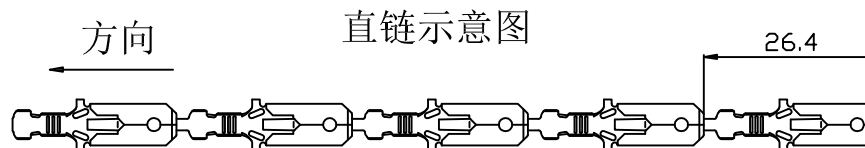
RoHS



SECTION:A-A



SECTION:B-B



Specification:

- Current Rating: 12A AC/DC
- Voltage Rating: 250V AC/DC
- Insulation Resistance: 1000MΩ(Min)
- Contact resistance: 10mΩ(Max).
- Withstanding Voltage: 1500VAC(Min)
- Operation Temperature: -25°C to +85°C

Material:


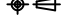
- Wire Range:14~20AWG
- Material: Brass
- Finish: Tin Plated

Ordering Information

SCT63090MT B S 102

Material:
B=Brass

Contact Plated
S=Tin Flash

					OPERATION	DRAW	Peng	2021.07.12	SCALE	-	 SCONDAR ELECTRONIC LIMITED		
					X.X ±0.35	DESIGN			UNIT	mm			
					X.XX ±0.25		CHECK	Lisa	2021.07.12	SIZE		A4	
					X.XXX ±0.15	APPROVE	Allen	2021.07.12	SHEET	1/1		PART NO.	SCT63090MTBS102
REV	DATE	MODIFICATION DESCRIPTION	CHANGE	APPROVE	Angle DIM	± 3' TOL			PROJ.		TITLE:	63090 Male Terminal	

A1 2021.07.12 Changed from SCT63090-MT to SCT63090MTBS102

AO 2018.03.03 NEW