

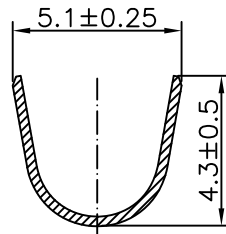
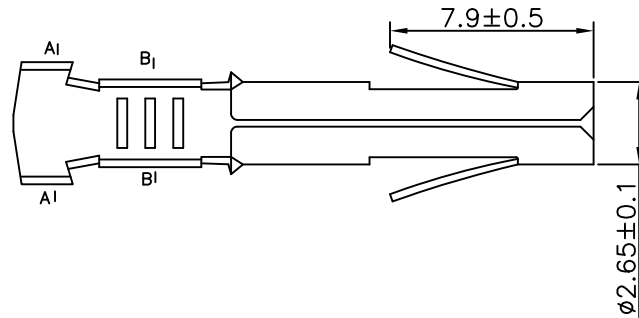
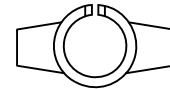
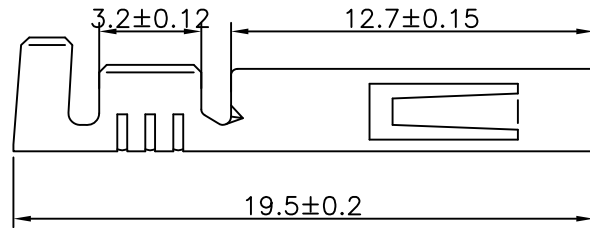
RoHS

Specification:

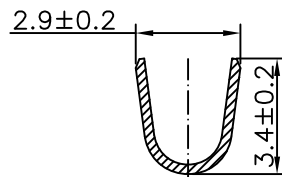
- Current Rating: 13A AC/DC
- Voltage Rating: 300V AC/DC
- Insulation Resistance: 1000MΩ Min
- Withstanding Voltage: 1500VAC(1Min)
- Operation Temperature: -25°C to +85°C
- Contact resistance: 10mΩ(Max)

Material:

- Wire Range:18~22AWG
- Material: Phosphor Bronze
- Finish: Tin Plated



SECTION:A-A




SECTION:B-B

Ordering Information

SCT63080FT P S 115

Material: P=Phosphor Bronze S=Tin Plated

						OPERATION	DRAW	Peng	2021.07.12	SCALE	-	 SCONDAR ELECTRONIC LIMITED	
						X.X ±0.35	DESIGN			UNIT	mm		
						X.XX ±0.25		CHECK	Lisa	2021.07.12	SIZE		A4
A1	2021.07.12	Changed from SCT63080-FT to SCT63080FTPS115				X.XXX ±0.15	APPROVE	Allen	2021.07.12	SHEET	1/1		PART NO.
AO	2018.03.03	NEW				Angle ± 3'				PROJ.	⌀	TITLE:	MX42022 Female Terminal
REV	DATE	MODIFICATION DESCRIPTION	CHANGE	APPROVE	DIM	TOL	APPROVE	Allen	2021.07.12				