

RoHS

Recommended P.C.B Layout
General Tolerance±0.05

Specification:

- Current Rating: 7A AC/DC
- Voltage Rating: 250V AC/DC
- Insulation Resistance: 1000MΩ(Min)
- Contact resistance: 10mΩ(Max).
- Withstanding Voltage: 1500VAC(Min)
- Operation Temperature: -25°C to +85°C

Material:

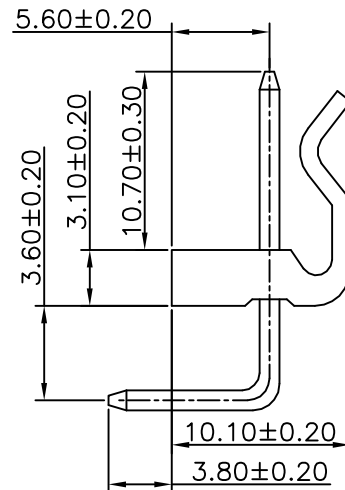
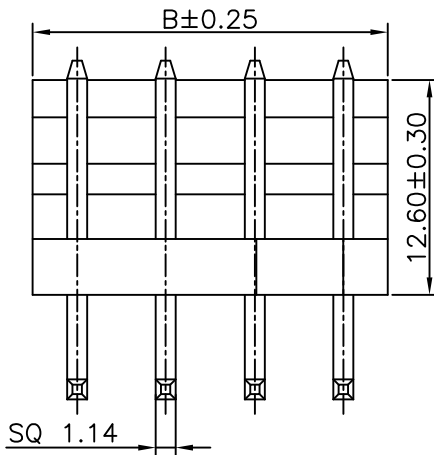
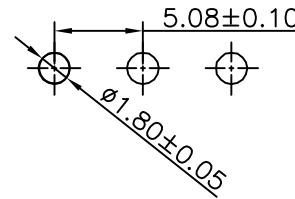
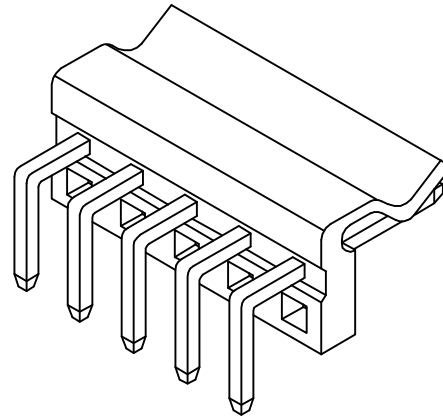
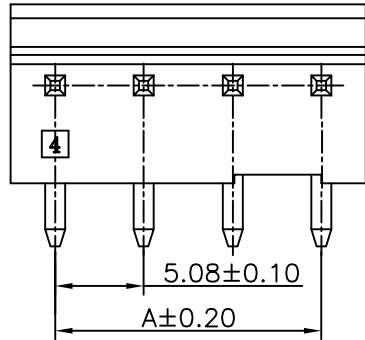
- Insulator Material: Nylon 66(UL94V-2)
- Contact Material: Brass
- Finish: Tin Plated
- Color: White

Ordering Information

SCT5080WR - xx C 0 WT 102

No.of Pins See Table
Material C=PA66 V2
Package 0=PE Bag
Color WT=White

9	40.64	45.72	17	81.28	86.36				
8	35.56	40.64	16	76.20	81.28				
7	30.48	35.56	15	71.12	76.20				
6	25.40	30.48	14	66.04	71.12				
5	20.32	25.40	13	60.96	66.04				
4	15.24	20.32	12	55.88	60.96	20	96.52	101.60	
3	10.16	15.24	11	50.80	55.88	19	91.44	96.52	
2	5.08	10.16	10	45.72	50.80	18	86.36	91.44	
Poles	A B Dimensions		Poles	A B Dimensions		Poles	A B Dimensions		



REV	DATE	MODIFICATION DESCRIPTION	CHANGE	APPROVE	OPERATION	DRAW	Peng	2021.07.12	SCALE	-	SCONDAR ELECTRONIC LIMITED			
A1	2021.07.12	Changed from SCT5080WR-xxP to SCT5080WR-xxCWT102			X.X	±0.35			UNIT	mm	SCONDAR ELECTRONIC LIMITED			
AO	2020.03.03	NEW			X.XX	±0.25			SIZE	A4				
					X.XXX	±0.15			SHEET	1/1				
					Angle	± 3'			PART NO.	SCT5080WR-xxCWT102				
					DIM	TOL	APPROVE	Allen	2021.07.12	PROJ.	MX5.08 90° Wafer			