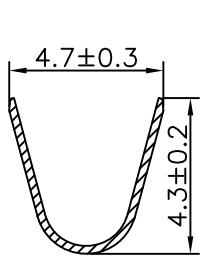
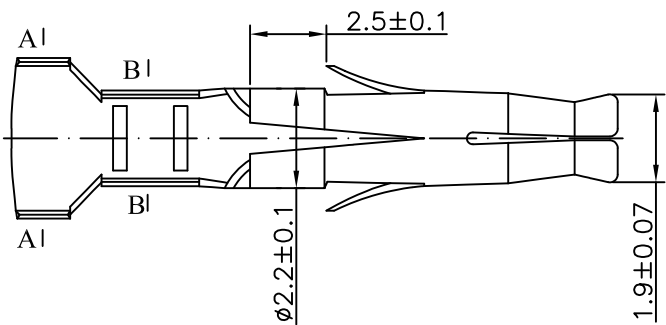
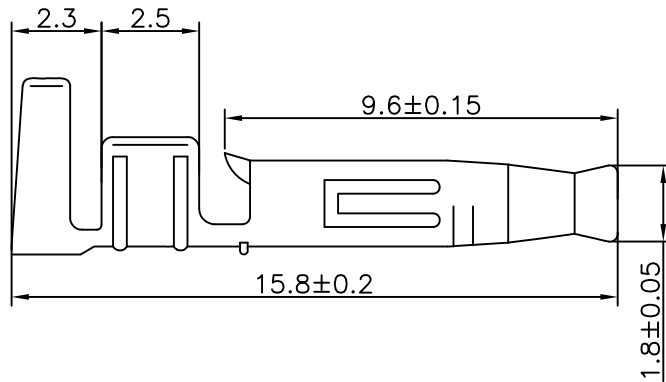
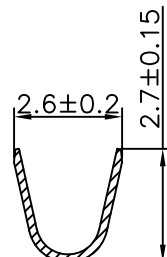


RoHS



SECTION:A-A



SECTION:B-B

Specification:

- Current Rating: 10A AC/DC
- Voltage Rating: 300V AC/DC
- Insulation Resistance: 1000MΩ(Min)
- Contact resistance: 0.01Ω(Max).
- Withstanding Voltage: 1500VAC(Min)
- Operation Temperature: -25°C to +85°C

Material:


- Wire Range:24~16AWG
- Material: Phosphor Bronze,
- Finish: Tin Plated

Ordering Information

SCT4501FT P S 115

Material:
P=Phosphor Bronze

Contact Plated
S=Tin Flash

					OPERATION	DRAW	Peng	2021.07.10	SCALE	-	 SCONDAR ELECTRONIC LIMITED	
					X.X ±0.35	DESIGN			UNIT	mm		
					X.XX ±0.25		CHECK	Lisa	2021.07.10	SIZE		A4
A1	2021.07.10	Changed from SCT4501-FT to SCT4501FTPS115			X.XXX ±0.15	APPROVE	Allen	2021.07.10	SHEET	1/1	PART NO.	SCT4501FTPS115
AO	2018.03.03	NEW			Angle ± 3'				PROJ.	⊕	TITLE:	CL4.5 Female Terminal
REV	DATE	MODIFICATION DESCRIPTION	CHANGE	APPROVE	DIM TOL							