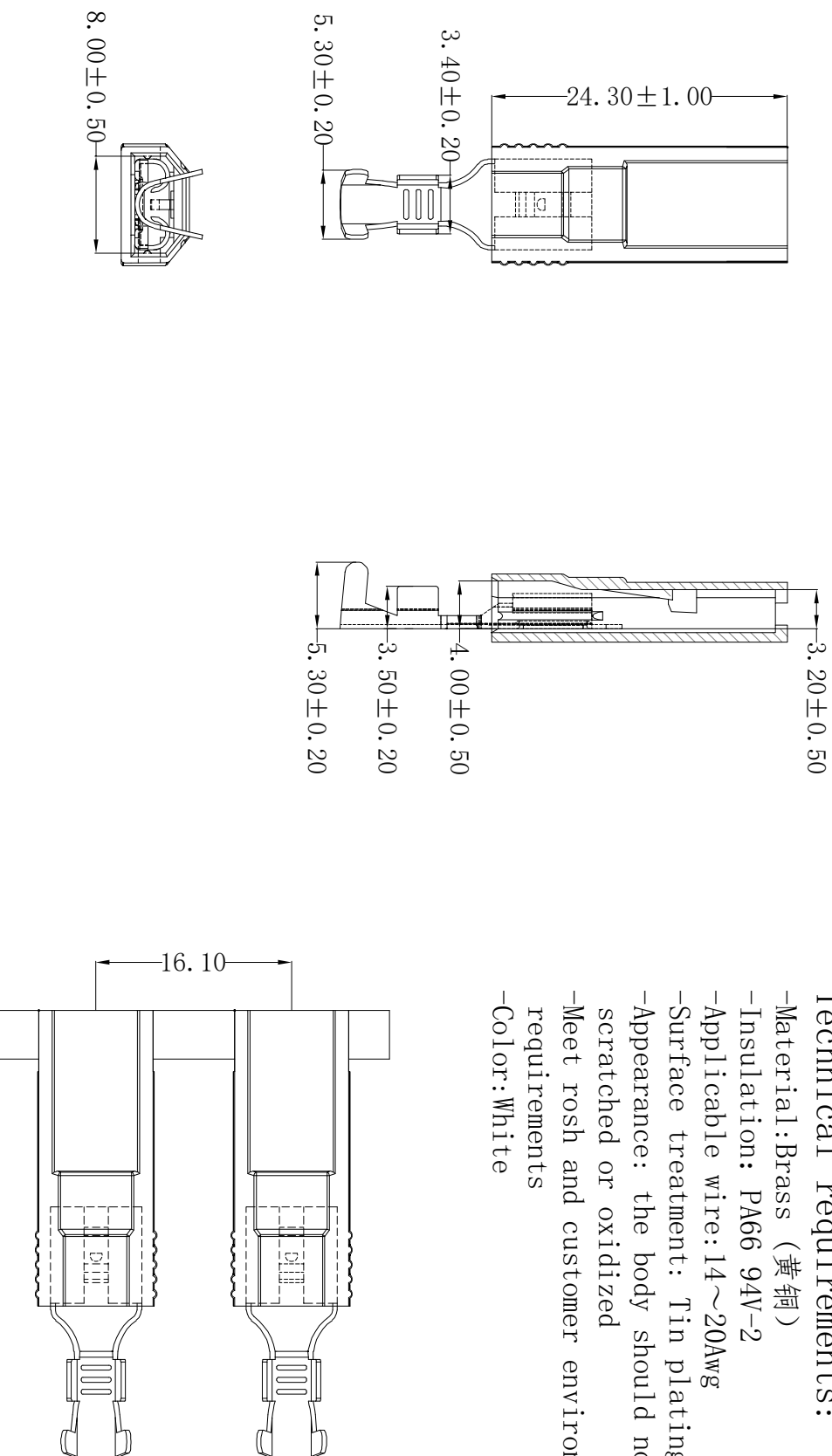


- Technical requirements:
- Material: Brass (黄铜)
 - Insulation: PA66 94V-2
 - Applicable wire: 14~20AWG
 - Surface treatment: Tin plating
 - Appearance: the body should not be scratched or oxidized
 - Meet rosh and customer environmental requirements
 - Color: White



REV	DATE	MODIFICATION DESCRIPTION	CHANGE	APPROVE	OPERATION	DRAW	YANG	2016.06.06	SCALE	<p>SCONDAR ELECTRONIC LIMITED</p>	PART NO. SCTS1NY1.5-250-PS141	TITLE: 150# T=0.40 Crimp Female Terminal Brass Tin(Sn) Plating 14-20AWG Roel MPQ=2K/Res
A0	2016.06.06	NEW			DESIGN	Lisa	2016.06.06	UNIT				
					CHECK			SIZE				
					Angle	APPROVE		SHEET	1/1			
					±3°			PROJ.				
					±0.10							
					±0.20							
					X.XXX							
					X.XX							
					X.X							
					±0.30							