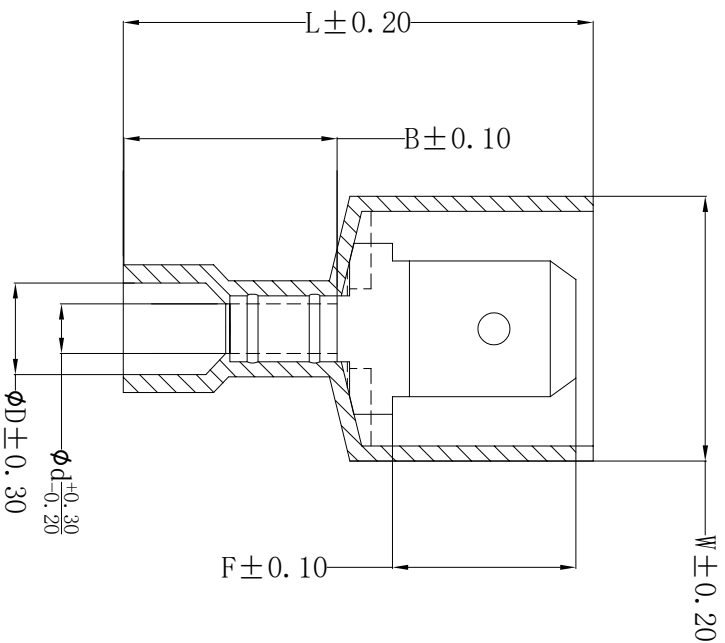



ROHS



**Technical requirements:**  
 Terminal body: copper  
 Insulation: Nylon, PC  
 Temperature: 105°C、115°C  
 Plating: tin

REV	DATE	MODIFICATION DESCRIPTION	CHANGE	APPROVE	OPERATION	DRAW	YANG	2016.06.06	SCALE	 SCONDAR ELECTRONIC LIMITED
A0	2016.06.06	NEW	---	---	DESIGN	Lisa	2016.06.06	UNIT	mm	
					CHECK			SIZE	A4	
					Angle	APPROVE		SHEET	1/1	PART NO.
					±3°			PROJ.	☞	TITLE:
					±0.10					系列图
					±0.20					0.8x8.35mm 250# T=0.8 Crimp Male Terminal Brass Tin(Sn)
					±0.30					Plating 16-22AWG Reel MPQ=2000pcs