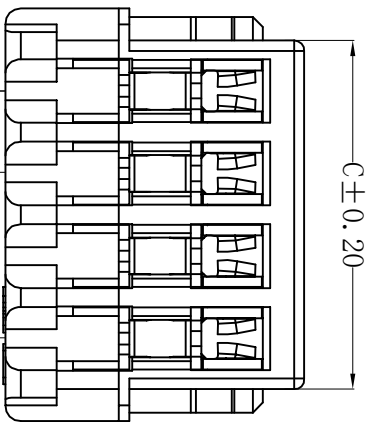
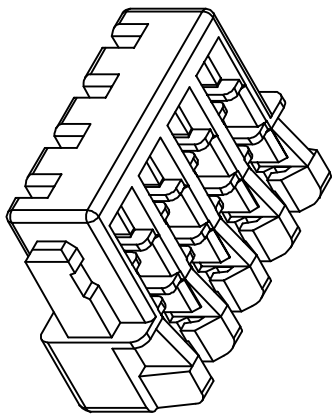


ROHS

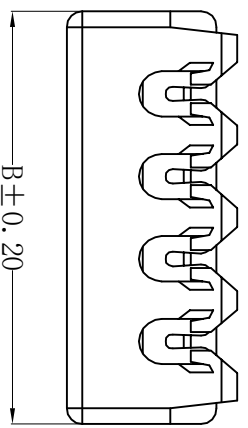


0.80 ± 0.05
A ± 0.10

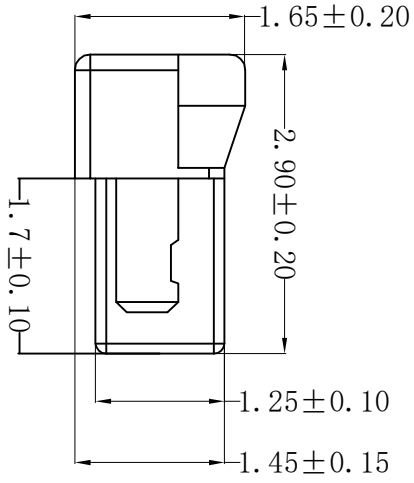


深圳市森康达电子有限公司
工程专用章

受控



B ± 0.20



- Specification:
- Current Rating: 0.5A AC/DC
 - Voltage Rating: 30V AC/DC
 - Insulation Resistance: 100M Ω Min
 - Withstanding Voltage: 200VAC (1Min)
 - Contact resistance: 30mΩ (Max).
 - Operation Temperature: -25°C to +85°C
- Material:
-Insulator (Housing) : Nylon 66 (UL94V-0)
-Color: White

Ordering Information

SCT0800HI - XX B WT 501

No of Pins Insulation Color
See Table B=P466 V0 WT=White

Dimensions			Part NO	PIN
A	B	C		
0.80	2.40	1.78	SCT0800HI-02BWT501	2
1.60	3.20	2.58	SCT0800HI-03BWT501	3
2.40	4.00	3.38	SCT0800HI-04BWT501	4
3.20	4.80	4.18	SCT0800HI-05BWT501	5
4.00	5.60	4.98	SCT0800HI-06BWT501	6
4.80	6.40	5.78	SCT0800HI-07BWT501	7
5.60	7.20	6.58	SCT0800HI-08BWT501	8
6.40	8.00	7.38	SCT0800HI-09BWT501	9
7.20	8.80	8.18	SCT0800HI-10BWT501	10
8.00	9.60	8.98	SCT0800HI-11BWT501	11
8.80	10.40	9.78	SCT0800HI-12BWT501	12
9.60	11.20	10.58	SCT0800HI-13BWT501	13
10.40	12.00	11.38	SCT0800HI-14BWT501	14
11.20	12.80	12.18	SCT0800HI-15BWT501	15
12.00	13.60	12.98	SCT0800HI-16BWT501	16
12.80	14.40	13.78	SCT0800HI-17BWT501	17
13.60	15.20	14.58	SCT0800HI-18BWT501	18
14.40	16.00	15.38	SCT0800HI-19BWT501	19
15.20	16.80	16.18	SCT0800HI-20BWT501	20



SCONDAR ELECTRONIC LIMITED

REV	DATE	MODIFICATION DESCRIPTION	CHANGE	APPROVE	OPERATION		DRAW	YANG	2016.06.06	SCALE	UNIT		SHEET	1/1	Part No.	SCT0800HI-xxBWT501	TITLE:	
					DIM	TOL					mm	A4						
A0	2016.06.06	NEW			X.X	±0.30	DESIGN											
					X.XX	±0.20	CHECK	ZHONG										
					X.XXX	±0.10	APPROVE	Lisa										
					Angle	±3°												

0.80mm Pitch Wire to Board Housing xx Circuits P466 V0 White