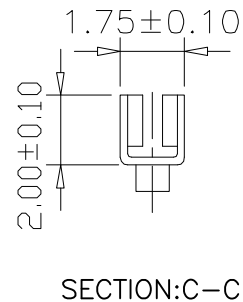
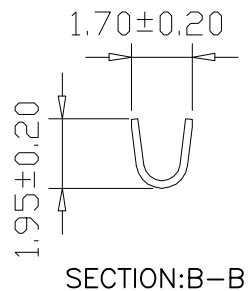
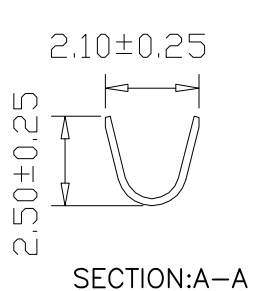
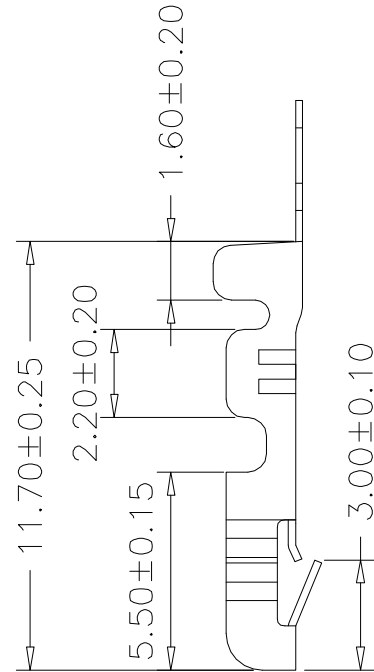
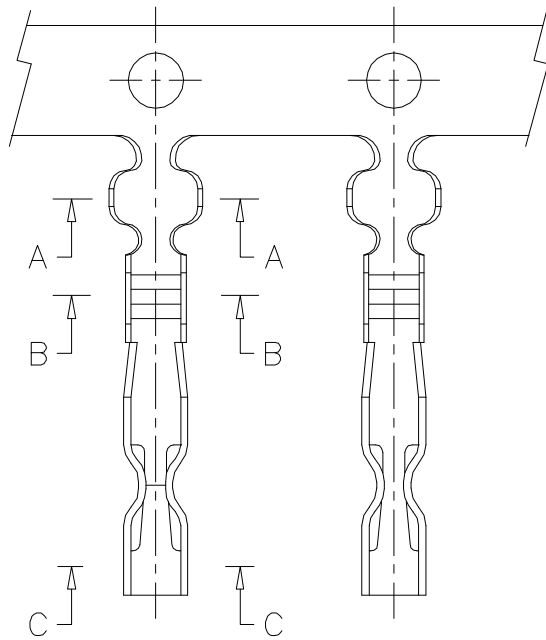


RoHS



Specification:

- Current Rating: 3A AC/DC
- Voltage Rating: 250V AC/DC
- Insulation Resistance: 500MΩ(Min)
- Contact resistance: 20mΩ(Max).
- Withstanding Voltage: 800VAC(Min)
- Operation Temperature: -25°C to +85°C

Material:

- Wire Range: 20-26AWG(OD:1.9mm)
- Material: Phosphor Bronze, T=0.20mm
- Finish: Tin Plated
- Q'TY: 13,000Pcs/Reel

Ordering Information

SCT2545T P S 102

Material:
P=Phosphor Bronze

Contact Plated
S=Tin Flash

东莞市晟凯达电子科技有限公司
工程专用章

受控

					OPERATION	DRAW	Peng	2021.07.09	SCALE	-	 SCONDAR ELECTRONIC LIMITED		
					X.X ±0.35	DESIGN			UNIT	mm			
					X.XX ±0.25				SIZE	A4			
A1	2021.07.09	Changed from SCT2545-TP to SCT2545TPS102			X.XXX ±0.15	CHECK	Lisa	2021.07.09	SHEET	1/1	PART NO.	SCT2545TPS102	▲
AO	2018.03.03	NEW			Angle ± 3'	APPROVE	Allen	2021.07.09	PROJ.	⊕	TITLE:	AMP171822 Terminal	
REV	DATE	MODIFICATION DESCRIPTION	CHANGE	APPROVE	DIM TOL								