

RoHS

Recommended P.C.B Layout
General Tolerance ±0.05

Specification:

- Current Rating: 9A AC/DC
- Voltage Rating: 600V AC/DC
- Insulation Resistance: 1000MΩ(Min)
- Contact resistance: 20mΩ(Max).
- Withstanding Voltage: 1500VAC(Min)
- Operation Temperature: -25°C to +85°C

Material:

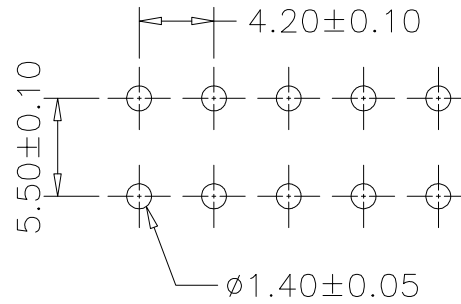
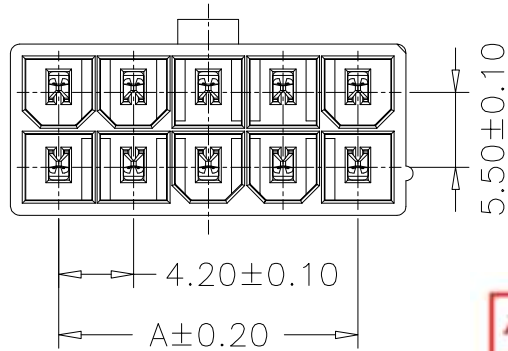
- Insulator Material: Nylon 66(UL94V-2)
- Contact Material: Brass
- Finish: Tin Plated
- Color: Natural

Ordering Information

SCT4201WVA-2xx C 3 NA 103

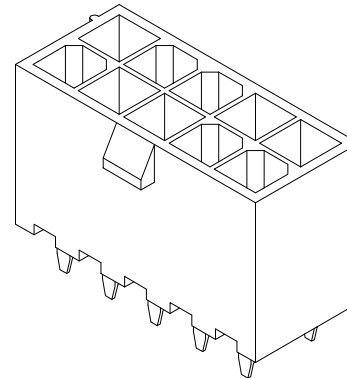
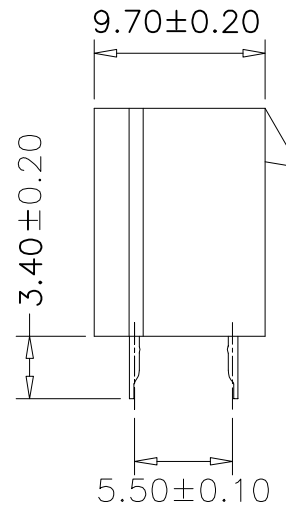
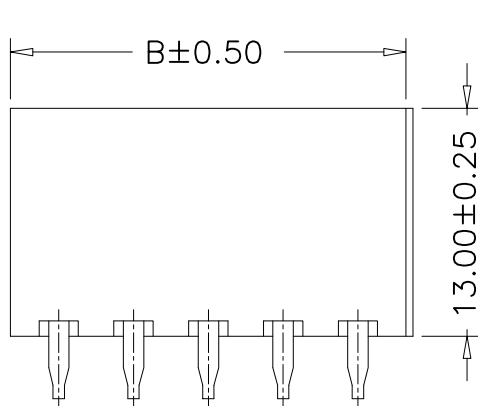
No. of Pins See Table
Material C=PA66 V2
Package 3=Tray
Color NA=Natural

2x09	33.60	39.00			
2x08	29.40	34.80			
2x07	25.20	30.60			
2x06	21.00	26.40			
2x05	16.80	22.20			
2x04	12.60	18.00			
2x03	8.40	13.80	2x12	46.20	51.60
2x02	4.20	9.60	2x11	42.00	47.40
2x01	—	5.40	2x10	37.80	43.20
Poles	A B		Poles	A B	
	Dimensions			Dimensions	



受控

东莞市晟凯达电子科技有限公司
工程专用章



OPERATION		DRAW		SCALE		UNIT		SIZE		SHEET		SHEET		PROJ.	
				Peng	2021.07.10	—	mm	A4	1/1	1/1	◆				
A0	2020.03.03	NEW													
REV	DATE	MODIFICATION DESCRIPTION		CHANGE	APPROVE	Angle	± 3'	DIM	TOL	APPROVE	Allen	2021.07.10	PART NO.	SCT4201WVA-2xxC3NA103	
												TITLE:	MX4.2 180° Wafer		

