

RoHS

**Recommended P.C.B Layout**  
General Tolerance±0.05

**Specification:**

- Current Rating: 9A AC/DC
- Voltage Rating: 600V AC/DC
- Insulation Resistance: 1000MΩ(Min)
- Contact resistance: 20mΩ(Max).
- Withstanding Voltage: 1500VAC(Min)
- Operation Temperature: -25°C to +85°C

**Material:**

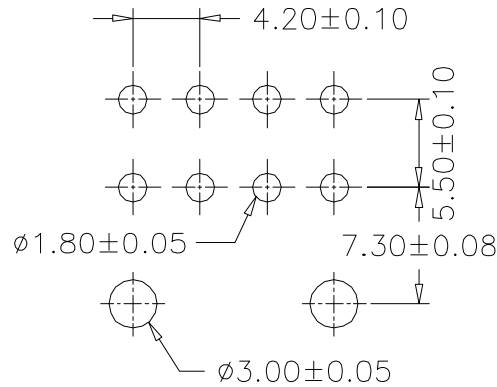
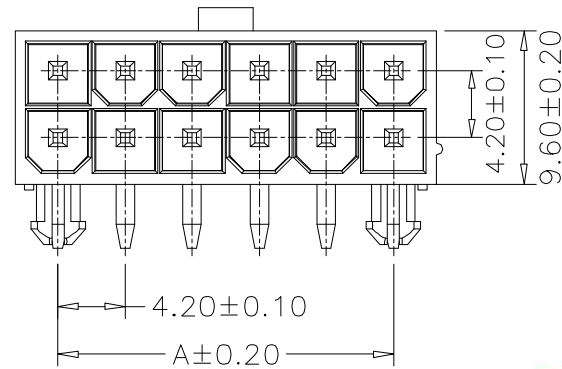
- Insulator Material: Nylon 66(UL94V-2)
- Contact Material: Brass
- Finish: Tin Plated
- Color: Natural

**Ordering Information**

SCT4201WRF-2xx C 0 NA 103

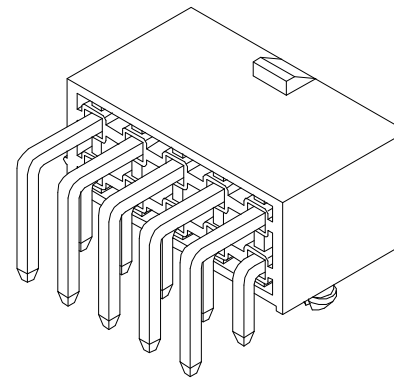
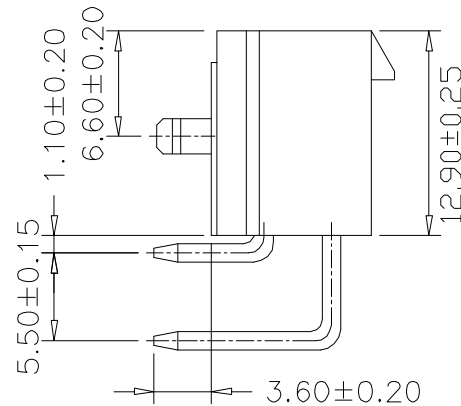
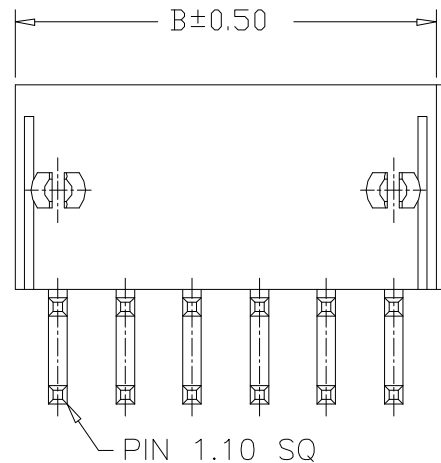
No.of Pins See Table  
Material C=PA66 V2  
Package 0=PE Bag  
Color NA=Natural

2x09	33.60	39.00			
2x08	29.40	34.80			
2x07	25.20	30.60			
2x06	21.00	26.40			
2x05	16.80	22.20			
2x04	12.60	18.00			
2x03	8.40	13.80	2x12	46.20	51.60
2x02	4.20	9.60	2x11	42.00	47.40
2x01	—	5.40	2x10	37.80	43.20
Poles	A	B	Poles	A	B
	Dimensions			Dimensions	



东莞市赛昂达电子科技有限公司  
工程专用章

受控



REV	DATE	MODIFICATION DESCRIPTION	CHANGE	APPROVE	OPERATION	DRAW	Peng	2021.07.10	SCALE	—	 SCONDAR ELECTRONIC LIMITED
A1	2021.07.10	Changed from SCT4201WR-F-2xXP to SCT4201WRF-2xxCONA103	—	—	X.X	±0.35			UNIT	mm	
AO	2020.03.03	NEW	—	—	X.XX	±0.25			SIZE	A4	
					X.XXX	±0.15			SHEET	1/1	
					Angle	± 3'			PART NO.	SCT4201WRF-2xxCONA103	⚠
					DIM	TOL			PROJ.	MX4.2 90° Wafer	