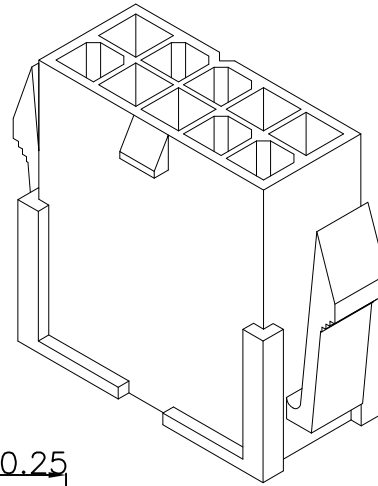
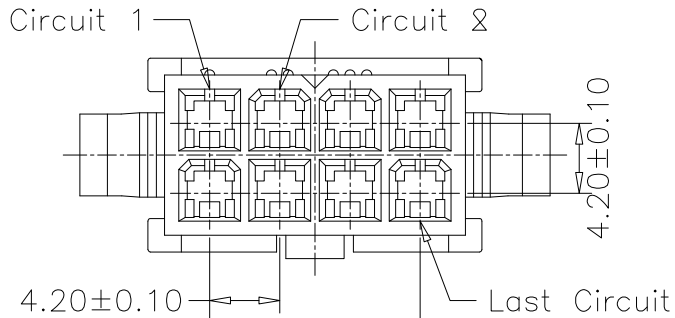


RoHS



Specification:

- Current Rating: 9A AC/DC
- Voltage Rating: 600V AC/DC
- Insulation Resistance: 1000MΩ Min
- Withstanding Voltage: 1500VAC(1Min)
- Operation Temperature: -25°C to +85°C
- Contact resistance: 20mΩ(Max)

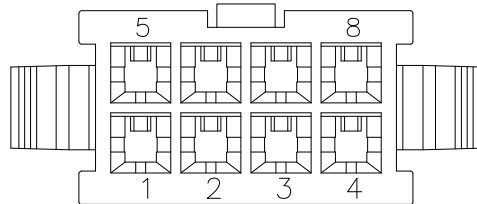
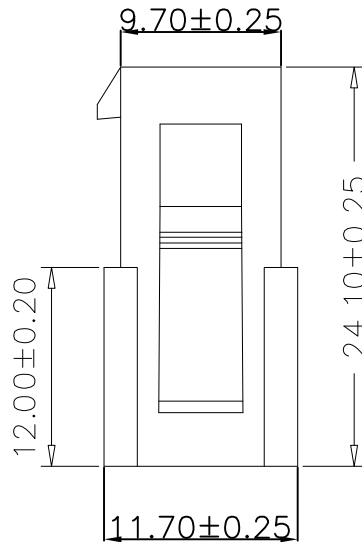
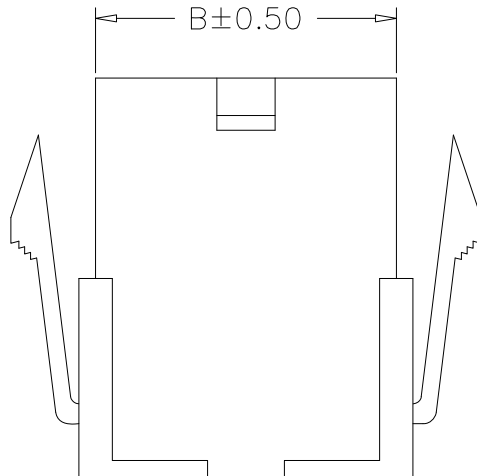
Material:

- Insulator (Housing): Nylon 66 (UL94V-0)
- Color: Natural

Ordering Information

SCT4201FH - 2** B NA 103

No.of Pins 02~24Pin Insulation B=PA66 V0 Color NA=Natural



东莞市晟凯达电子科技有限公司
工程专用章

受控

2x09	33.60	39.00			
2x08	29.40	34.80			
2x07	25.20	30.60			
2x06	21.00	26.40			
2x05	16.80	22.20			
2x04	12.60	18.00			
2x03	8.40	13.80	2x12	46.20	51.60
2x02	4.20	9.60	2x11	42.00	47.40
2x01	—	5.40	2x10	37.80	43.20
Poles	A	B	Poles	A	B
	Dimensions			Dimensions	

REV	DATE	MODIFICATION DESCRIPTION	CHANGE	APPROVE	OPERATION	DRAW	Peng	2021.07.10	SCALE	—	 SCONDAR ELECTRONIC LIMITED	
A1	2021.07.10	Changed from SCT4201FH-2xXXP to SCT4201FH-2xBNA103	—	—	X.X	±0.35	—	—	UNIT	mm		
AO	2006.05.02	NEW	—	—	X.XX	±0.25	—	—	SIZE	A4		
					X.XXX	±0.15	Lisa	2021.07.10	SHEET	1/1		
					Angle	± 3'	Allen	2021.07.10	PROJ.	⊕	PART NO.	SCT4201FH-2xBNA103
					DIM	TOL					TITLE:	MX 4.20mm Pitch Female Housing Connector