

RoHS

Specification:

- Current Rating: 5A AC/DC
- Voltage Rating: 250V AC/DC
- Insulation Resistance: 1000MΩ Min
- Withstanding Voltage: 1500VAC(1Min)
- Contact resistance: 10mΩ(Max).
- Operation Temperature: -25°C to +85°C

Material:

- Insulator (Housing): PA66 (UL94V-2)
- Color: Black

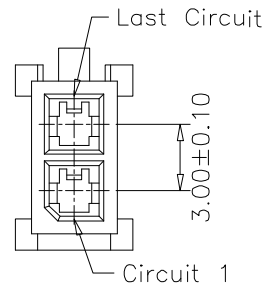
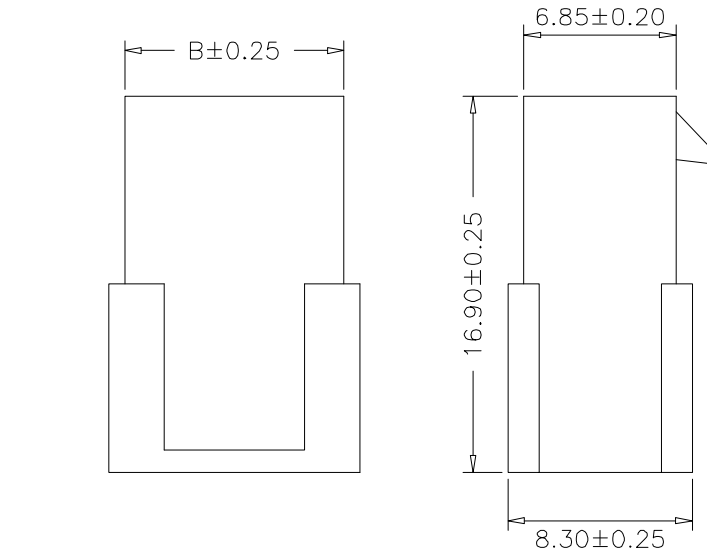
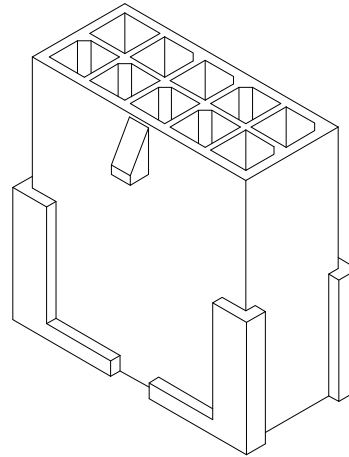
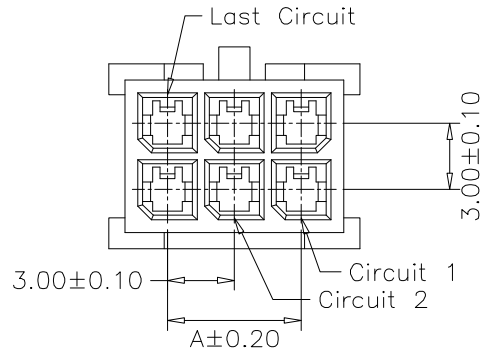
Ordering Information

SCT3001FHA - 2xx C BK 103

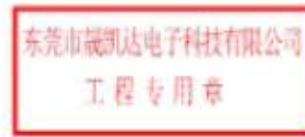
No.of Pins  
See Table

Insulation  
C=PA66 V2


Color  
BK=Black



2X01P



2x09	24.00	27.85			
2x08	21.00	24.85			
2x07	18.00	21.85			
2x06	15.00	18.85			
2x05	12.00	15.85			
2x04	9.00	12.85			
2x03	6.00	9.85	2x12	33.00	36.85
2x02	3.00	6.85	2x11	30.00	33.85
2x01	—	3.85	2x10	27.00	30.85
Poles	A	B	Poles	A	B
	Dimensions			Dimensions	

REV	DATE	MODIFICATION DESCRIPTION	CHANGE	APPROVE	OPERATION	DRAW	Peng	2021.07.10	SCALE	—	 SCONDAR ELECTRONIC LIMITED
A1	2021.07.10	Changed from SCT3001FHA-2xXXPB to SCT3001FHA-2xxCBK103	—	—	X.X	±0.35	—	—	UNIT	mm	
AO	2019.10.15	NEW	—	—	X.XX	±0.25	Lisa	2021.07.10	SIZE	A4	
					X.XXX	±0.15	Allen	2021.07.10	SHEET	1/1	
					Angle	± 3'			PART NO.	SCT3001FHA-2xxCBK103	
					DIM	TOL			PROJECT	MX3.0 Female Housing Connector	