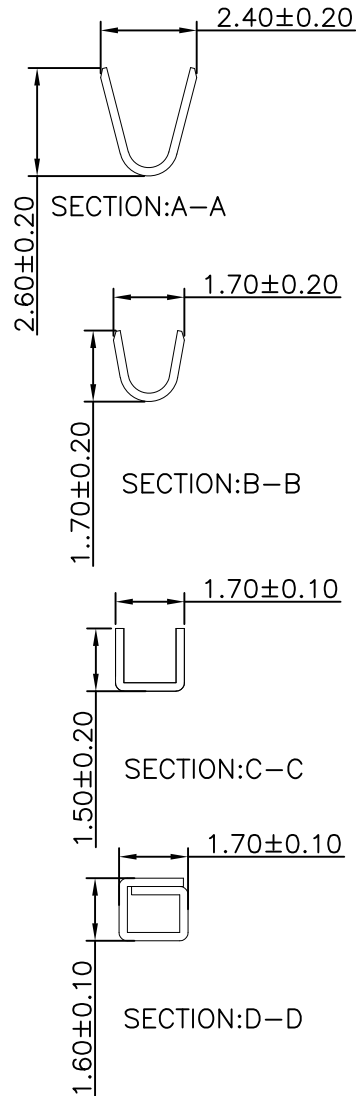
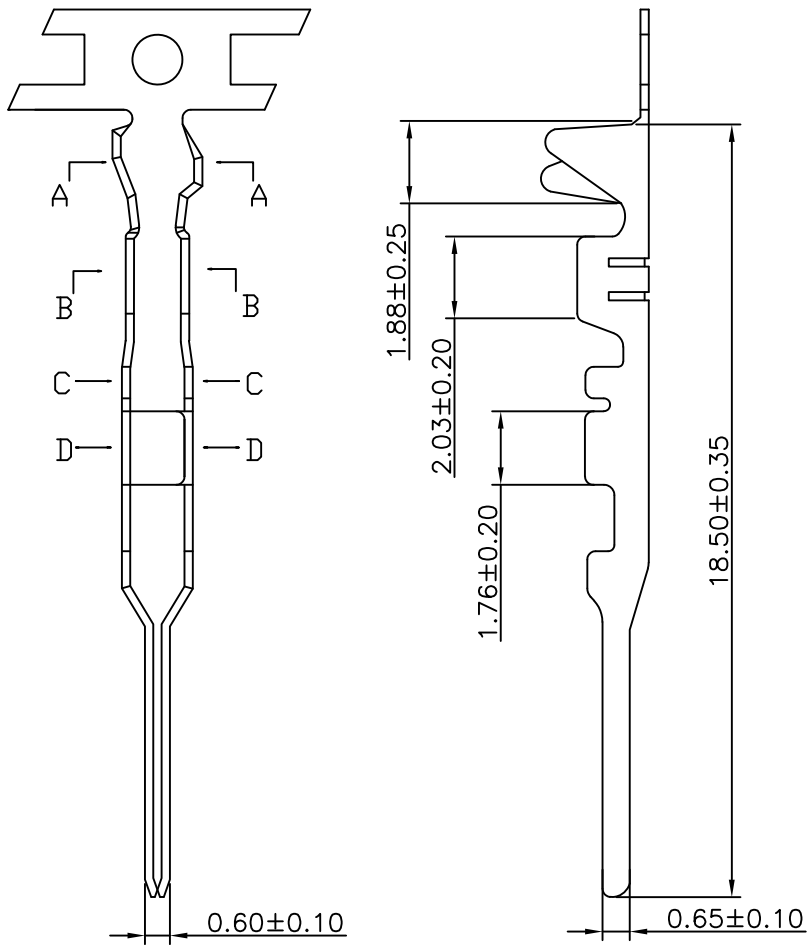


RoHS



**Specification:**

- Current Rating: 3A AC/DC
- Voltage Rating: 250V AC/DC
- Insulation Resistance: 1000MΩ(Min)
- Contact resistance: 20mΩ(Max).
- Withstanding Voltage: 1000VAC(Min)
- Operation Temperature: -25°C to +85°C

**Material:**

- Wire Range: 24-26AWG(OD:1.55mm)
- Material: Brass, Phosphor Bronze, T=0.20mm
- Finish: Half Gold Plated, Tin Plated, Gold Plated
- Q'TY: 10,000Pcs/Reel

**Ordering Information**

SCT2543MT \* \* 112

Material:  
 B=Brass  
 P=Phosphor Bronze  
 Contact Plated  
 F=Half Gold Plated  
 S=Tin Plated  
 G=Gold Plated

					OPERATION	DRAW	Peng	2021.07.07	SCALE	-	 SCONDAR ELECTRONIC LIMITED	
					X.X ±0.35	DESIGN			UNIT	mm		
					X.XX ±0.25	CHECK	Lisa	2021.07.07	SIZE	A4		
A1	2021.07.07	Changed from SCT2543-MTHG, SCT2543-MTB, SCT2543-MTPG to SCT2543MTxx112							SHEET	1/1	PART NO.	SCT2543MTxx112
AO	2018.03.03	NEW							PROJ.	⊕	TITLE:	Dupont 2.54mm Male Terminal
REV	DATE	MODIFICATION DESCRIPTION			CHANGE	APPROVE	Allen	2021.07.07				