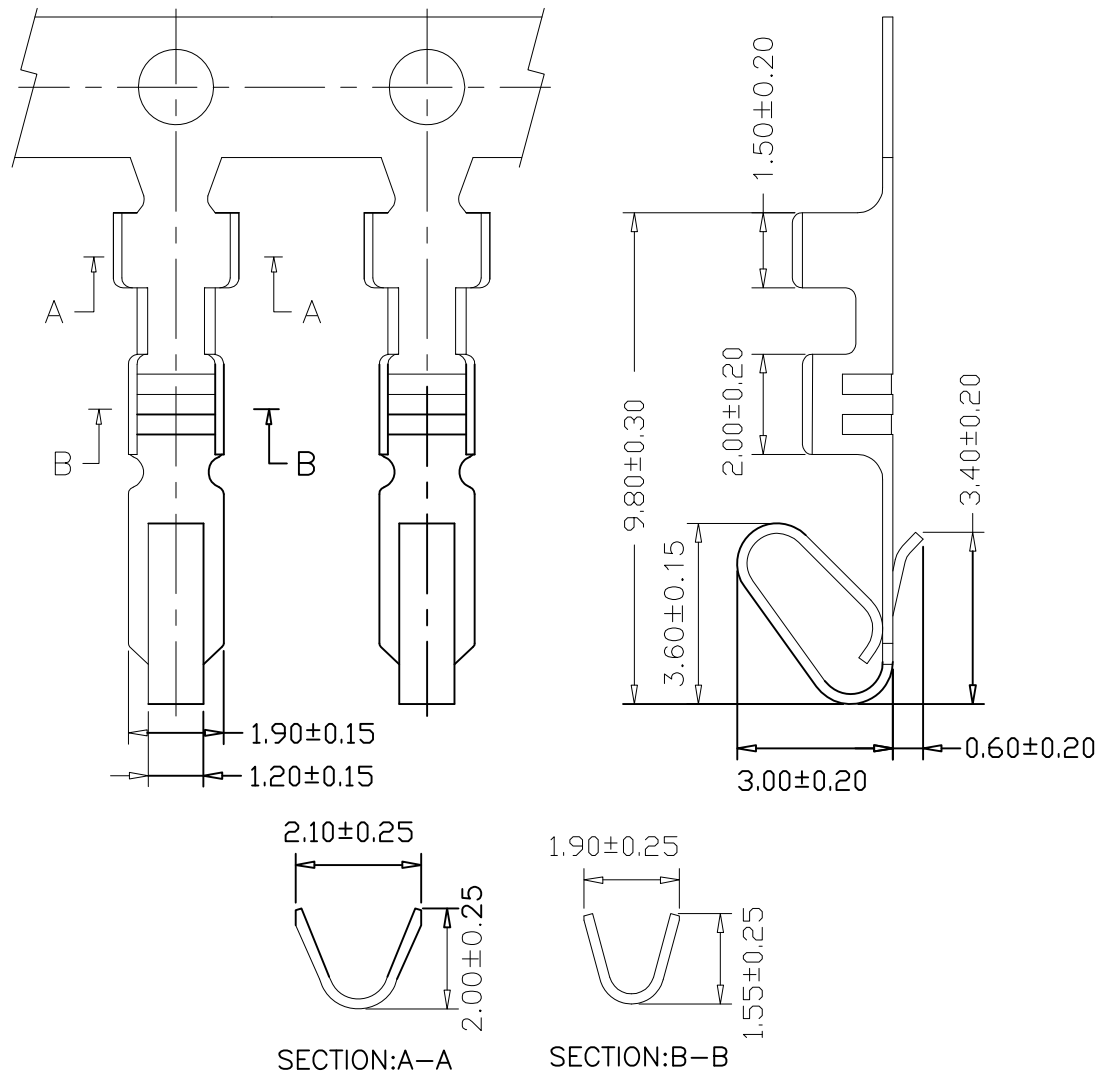


RoHS



Specification:

- Current Rating: 4A AC/DC
- Voltage Rating: 250V AC/DC
- Insulation Resistance: 1000MΩ(Min)
- Contact resistance: 20mΩ(Max).
- Withstanding Voltage: 1000VAC(Min)
- Operation Temperature: -25°C to +85°C


Material:

- Wire Range: 24-28AWG(OD:1.55mm)
- Material: Phosphor Bronze, T=0.20mm
- Finish: Tin Plated
- Q'TY: 10,000Pcs/Reel

Ordering Information

SCT2541FT P S 109

Material:  
P=Phosphor Bronze S=Tin Plated

					OPERATION	DRAW	Peng	2021.07.06	SCALE	-	 SCONDAR ELECTRONIC LIMITED	
					X.X ±0.35	DESIGN			UNIT	mm		
					X.XX ±0.25	CHECK	Lisa	2021.07.06	SIZE	A4		
A1	2021.07.06	Changed from SCT2541-TP to SCT2541FTPS109			X.XXX ±0.15	CHECK			SHEET	1/1	PART NO.	SCT2541FTPS109
AO	2018.03.03	NEW			Angle ± 3'	APPROVE	Allen	2021.07.06	PROJ.	⊕	TITLE:	MX 2.54mm Female Terminal
REV	DATE	MODIFICATION DESCRIPTION	CHANGE	APPROVE	DIM TOL							