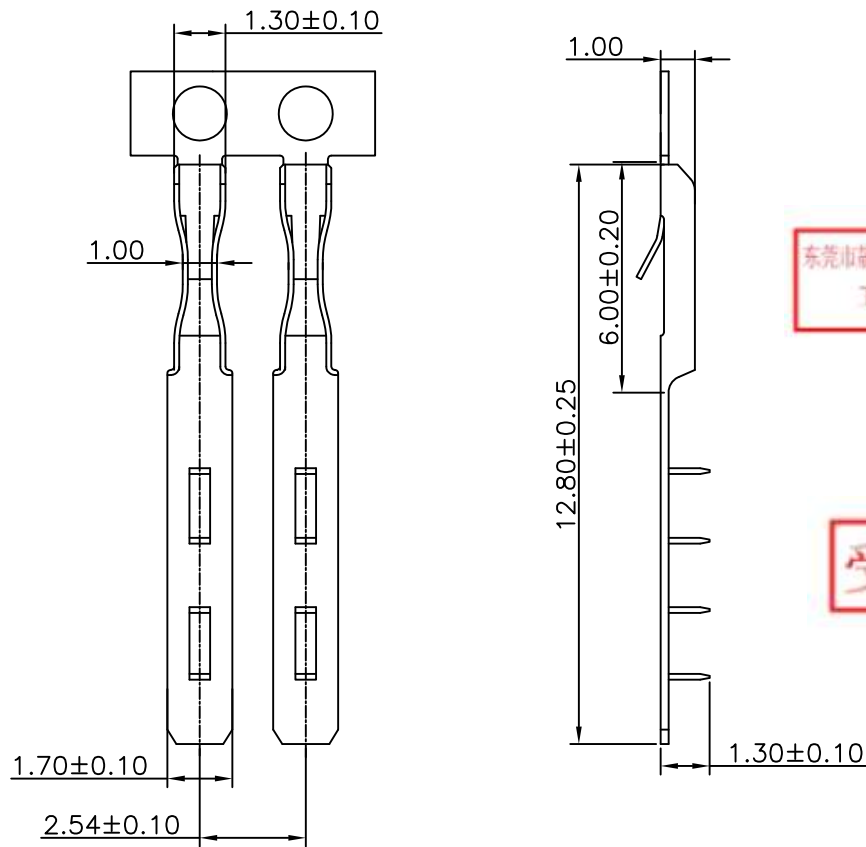


RoHS



东莞市晟凯达电子科技有限公司
工程专用章

受控

Specification:

- Current Rating: 2A AC/DC
- Voltage Rating: 250V AC/DC
- Insulation Resistance: 1000MΩ(Min)
- Contact resistance: 20mΩ(Max).
- Withstanding Voltage: 500VAC(Min)
- Operation Temperature: -25°C to +85°C


Material:

- Material: Phosphor Bronze,T=0.25mm
- Finish: Tin Plated
- Q'TY: 20,000Pcs/Reel

Ordering Information

SCT2540FT P S 115

Material:
P=Phosphor Bronze Contact Plated
S=Tin Plated

					OPERATION	DRAW	Peng	2021.07.06	SCALE	-	 SCONDAR ELECTRONIC LIMITED	
					X.X ±0.35	DESIGN			UNIT	mm		
					X.XX ±0.25		CHECK	Lisa	2021.07.06	SIZE		A4
A1	2021.07.06	Changed from SCT2540FT-A to SCT2540FTPS115			X.XXX ±0.15	APPROVE	Allen	2021.07.06	SHEET	1/1	PART NO.	SCT2540FTPS115
AO	2018.03.03	NEW			Angle ± 3'				PROJ.	⊕	TITLE:	AMP543 2.54mm Female Terminal
REV	DATE	MODIFICATION DESCRIPTION	CHANGE	APPROVE	DIM	TOL						