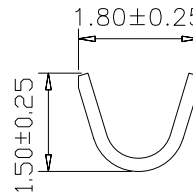
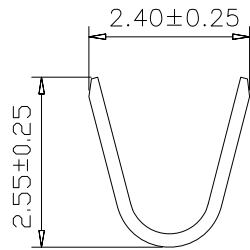
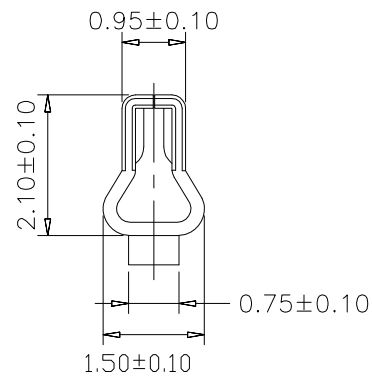
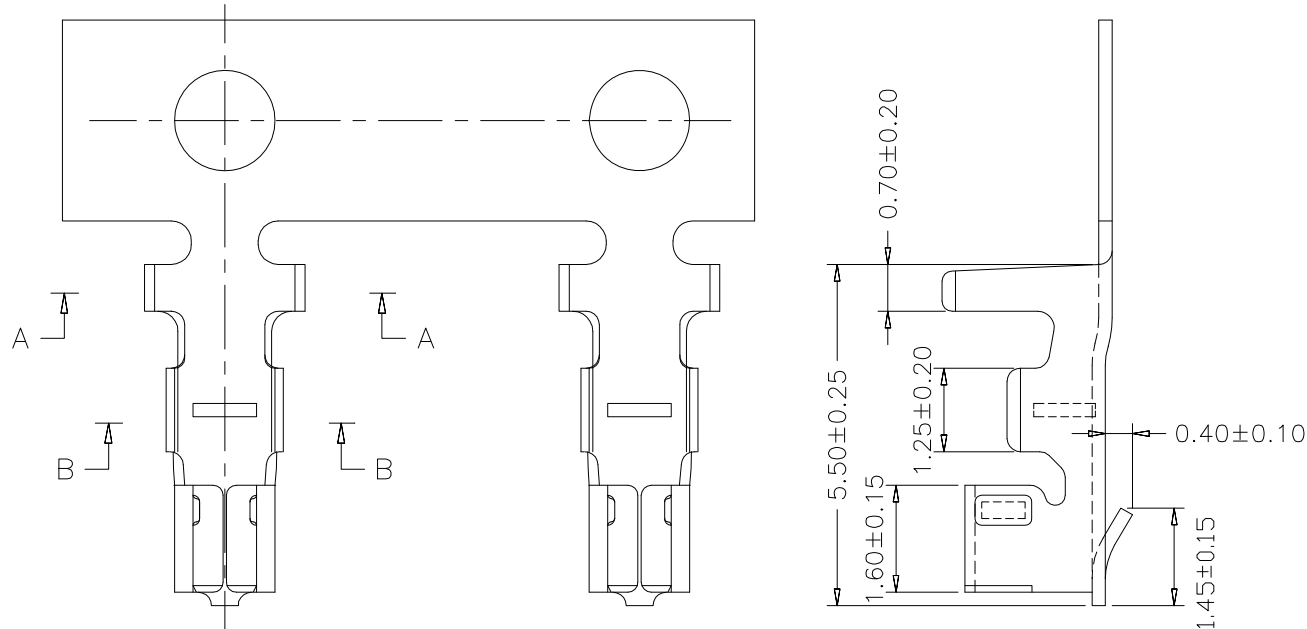


RoHS



SECTION:A-A

SECTION:B-B

Specification:

- Current Rating: 2A AC/DC
- Voltage Rating: 250V AC/DC
- Insulation Resistance: 1000MΩ(Min)
- Contact resistance: 20mΩ(Max).
- Withstanding Voltage: 800VAC(Min)
- Operation Temperature: -25°C to +85°C

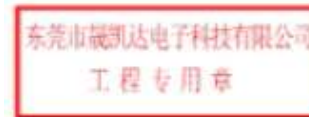
Material:

- Wire Range:24AWG~28AWG
- Insulation O.D: 1.5mm Max
- Material: Phosphor Bronze,T=0.20mm
- Finish: Tin Plated
- Q'TY: 10000Pcs/Reel

Ordering Information

SCT2005T

P S 131  
 Material: P=Phosphor Bronze S=Tin Plated



					OPERATION	DRAW	Peng	2021.07.10	SCALE	-	 SCONDAR ELECTRONIC LIMITED		
					X.X ±0.35	DESIGN			UNIT	mm			
					X.XX ±0.25		CHECK	Lisa	2021.07.10	SIZE		A4	
					X.XXX ±0.15	APPROVE	Allen	2021.07.10	SHEET	1/1		PART NO.	SCT2005TPS131
REV	DATE	MODIFICATION DESCRIPTION	CHANGE	APPROVE	Angle DIM	± 3' TOL			PROJ.		TITLE:	JAE 2.0mm Terminal	

A1	2021.07.10	Changed from SCT2005TP to SCT2005TPS131
AO	2015.03.03	NEW