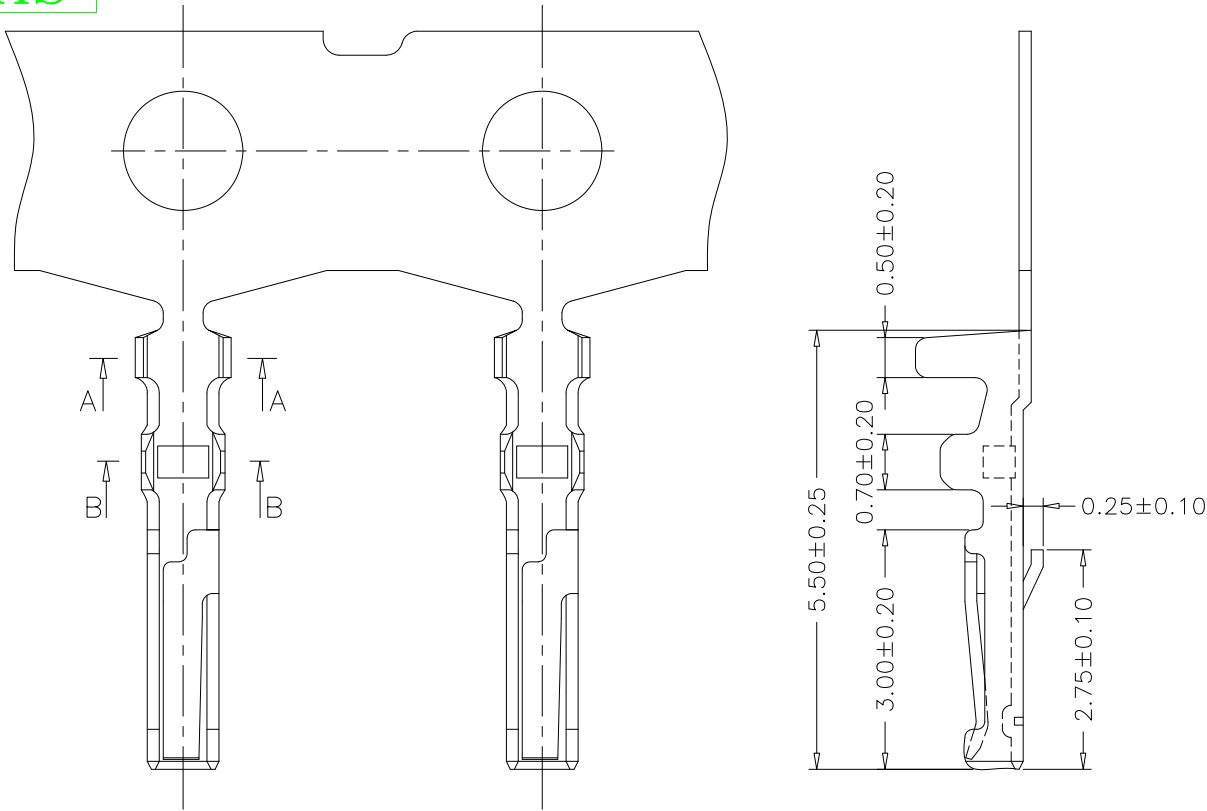


RoHS



Specification:

- Current Rating: 1A AC/DC
- Voltage Rating: 125V AC/DC
- Insulation Resistance: 100MΩ(Min)
- Contact resistance: 20mΩ(Max).
- Withstanding Voltage: 500VAC(Min)
- Operation Temperature: -25°C to +85°C


Material:

- Wire Range: 28AWG~32AWG
- Material: Phosphor Bronze, T=0.15mm
- Finish: Tin Plated/Gold Plated

Ordering Information

SCT1254T P * 104

Material:
P=Phosphor Bronze
S=Tin Plated
G=Gold Plated

					OPERATION	DRAW	Peng	2021.07.10	SCALE	-	 SCONDAR ELECTRONIC LIMITED	
					X.X	±0.35			UNIT	mm		
					X.XX	±0.25			SIZE	A4		
A1	2021.07.10	Changed from SCT1254T to SCT1254TPx104							SHEET	1/1	PART NO.	SCT1254TPx104
AO	2021.03.03	NEW							PROJ.	⌀	TITLE:	MX51146 1.25mm Terminal
REV	DATE	MODIFICATION DESCRIPTION			CHANGE	APPROVE						