

RoHS

**Recommended P.C.B Layout**  
General Tolerance±0.05

**Specification:**

- Current Rating: 1A AC/DC
- Voltage Rating: 150V AC/DC
- Insulation Resistance: 500MΩ Min
- Withstanding Voltage: 500VAC(1Min)
- Contact resistance: 20mΩ(Max).
- Operation Temperature: -40°C to +85°C

**Material:**

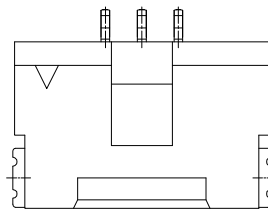
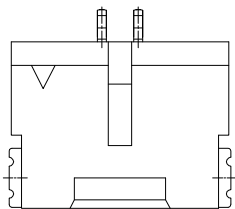
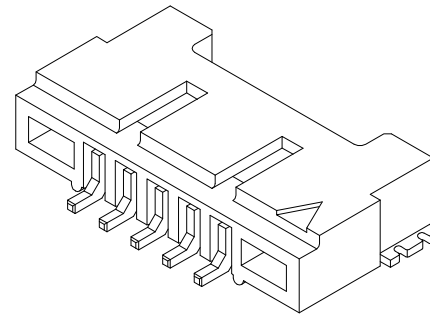
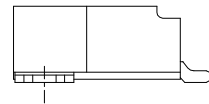
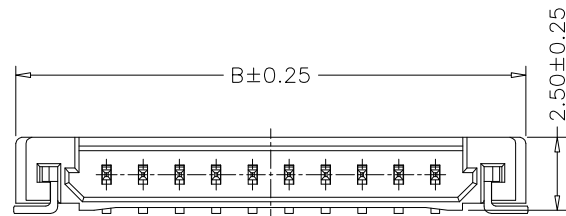
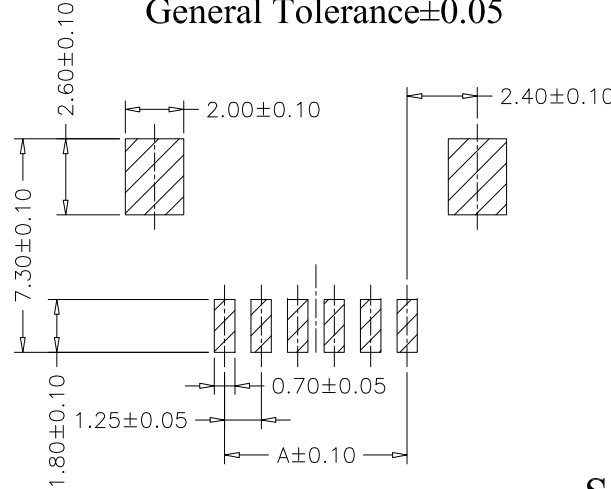
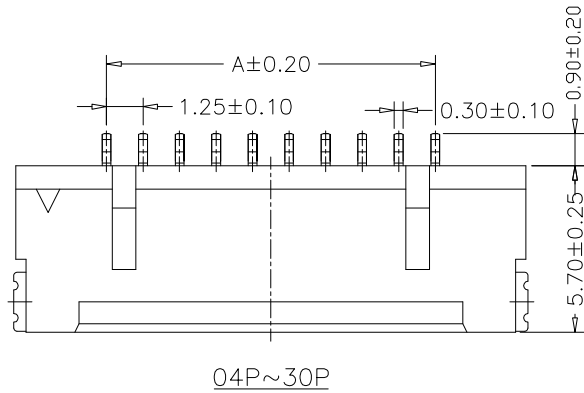
- Insulator (Housing): Nylon 9T (UL94V-0)
- Contacts: Brass, Tin Plated
- Color: White

**Ordering Information**

SCT1253WRS - \*\* E \* WT 101


No.of Pins See Table      Insulation E=PA9T      Package 1=Tape&Reel 2=Tube      Color WT=White

11	12.50	18.70			
10	11.25	17.45			
9	10.00	16.20	30	36.25	42.45
8	8.75	14.95	25	30.00	36.20
7	7.50	13.70	20	23.75	29.95
6	6.25	12.45	15	17.50	23.70
5	5.00	11.20	14	16.25	22.45
4	3.75	9.95	13	15.00	21.20
3	2.50	8.95	12	13.75	19.95
Poles	A	B	Poles	A	B
	Dimensions			Dimensions	



02P

03P

REV	DATE	MODIFICATION DESCRIPTION	CHANGE	APPROVE	OPERATION	DRAW	Peng	2021.07.05	SCALE		 SCONDAR ELECTRONIC LIMITED		
A1	2021.07.05	Changed from SCT1253WR-S-xxP to SCT1253WRS-xxExWT101			X.X	±0.35			UNIT	mm			
AO	2006.05.02	NEW			X.XX	±0.25			SIZE	A4			
					X.XXX	±0.15		2021.07.05	SHEET	1/1			
					Angle	± 3'			PROJ.	☉	PART NO.	SCT1253WRS-xxExWT101	⚠
					DIM	TOL		2021.07.05			TITLE:	DF14 1.25mm 90° SMT Wafer	