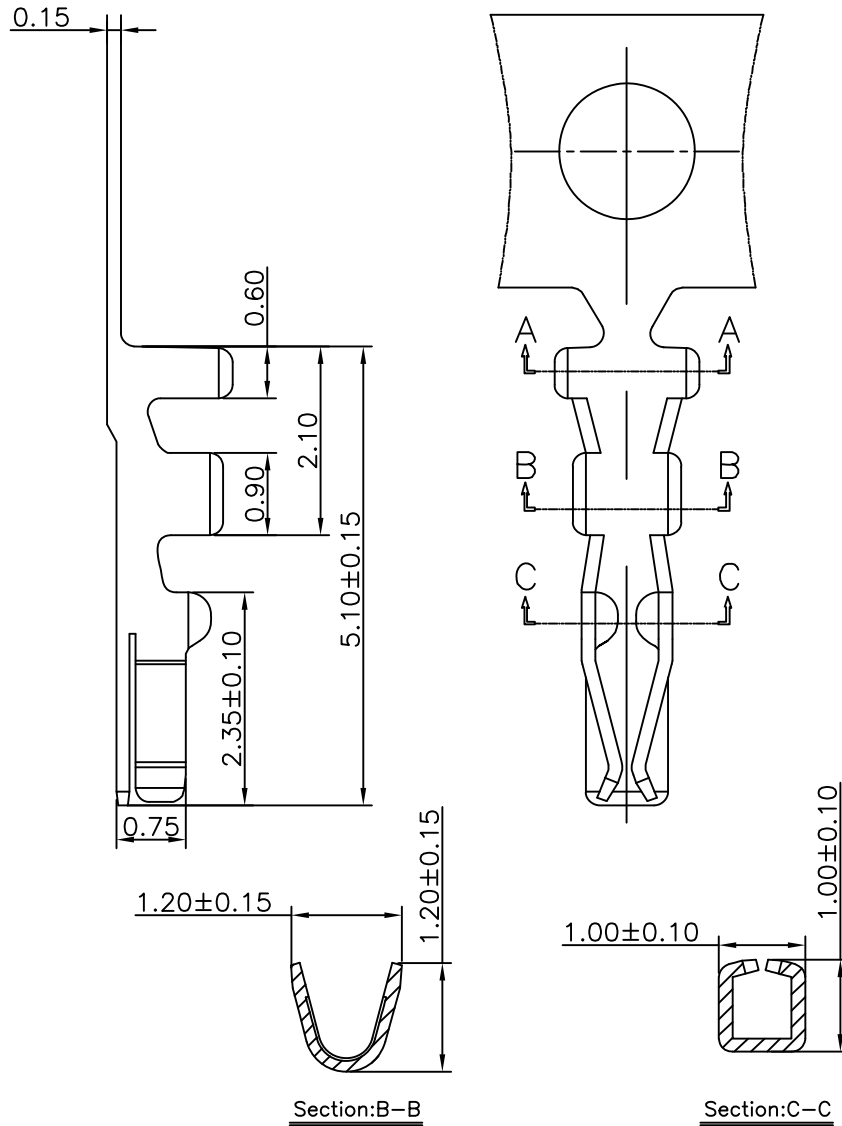


RoHS



Specification:

- Current Rating: 1A AC/DC
- Voltage Rating: 150V AC/DC
- Insulation Resistance: 500MΩ(Min)
- Contact resistance: 30mΩ(Max).
- Withstanding Voltage: 500VAC(Min)
- Operation Temperature: -35°C to +85°C


Material:

- Material: Phosphor Bronze ,T=0.15mm
- Finish: Tin Plated

Ordering Information

SCT1253T P S 104

Material:  
P=Phosphor Bronze S=Tin Plated

					OPERATION	DRAW	Peng	2021.07.05	SCALE	-	 SCONDAR ELECTRONIC LIMITED	
					X.X ±0.35	DESIGN			UNIT	mm		
A1	2021.07.05	Changed from SCT1253-TP to SCT1253TPS104			X.XX ±0.25	CHECK	lisa	2021.07.05	SIZE	A4		
AO	2021.03.03	NEW			X.XXX ±0.15	APPROVE	Allen	2021.07.05	SHEET	1/1		
REV	DATE	MODIFICATION DESCRIPTION	CHANGE	APPROVE	Angle ± 3'				PROJ.	⊕	PART NO.	SCT1253TPS104
					DIM TOL					⊕	TITLE:	DF14 1.25mm Terminal

