

RoHS

Specification:

- Current Rating: 1A AC/DC
- Voltage Rating: 150V AC/DC
- Insulation Resistance: 500MΩ Min
- Withstanding Voltage: 500VAC(1Min)
- Contact resistance: 20mΩ(Max).
- Operation Temperature: -40°C to +85°C

Material:

- Insulator (Housing): Nylon 66 (UL94V-0)
- Color: Beige

Ordering Information

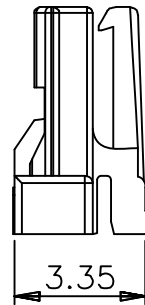
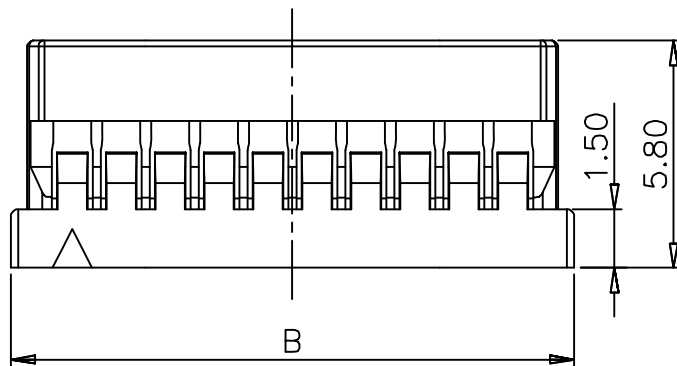
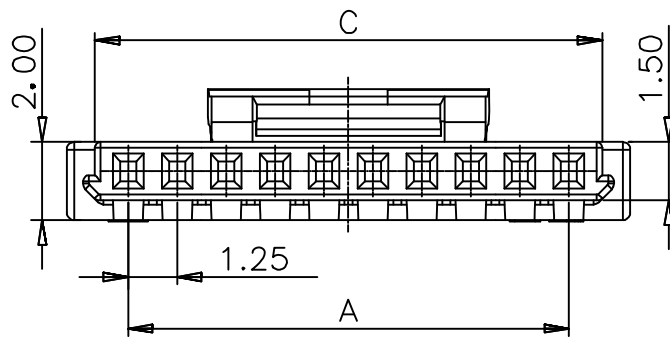
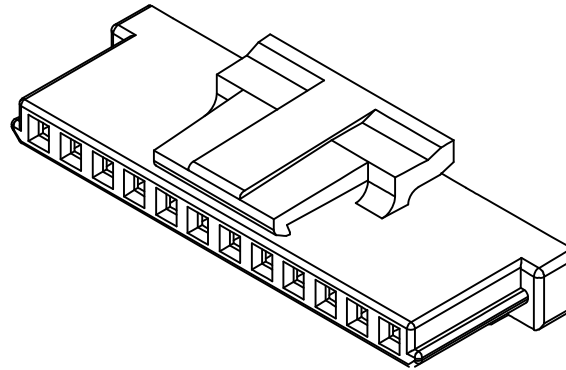
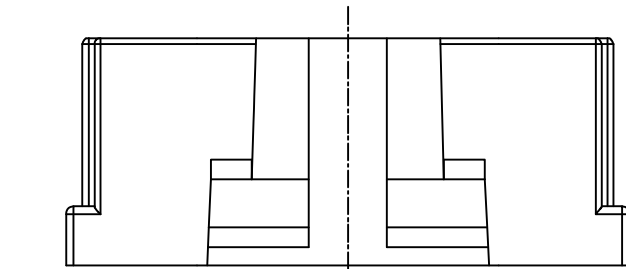
SCT1253HA- xx B BE 104


No.of Pins
See Table

Insulation
B=PA66

Color
BE=Beige

10	11.25	14.40	12.75				
9	10.00	13.15	11.50	30	36.25	39.40	37.75
8	8.75	11.90	10.25	25	30.00	33.15	31.50
7	7.50	10.65	9.00	20	23.75	26.90	25.25
6	6.25	9.40	7.75	15	17.50	20.65	19.00
5	5.00	8.15	6.50	14	16.24	19.40	17.75
4	3.75	6.90	5.25	13	15.00	18.15	16.50
3	2.50	5.65	4.00	12	13.75	16.90	15.25
2	1.25	4.40	2.75	11	12.50	15.65	14.00
Poles	A	B	C	Poles	A	B	C
	Dimensions				Dimensions		



REV	DATE	MODIFICATION DESCRIPTION	CHANGE	APPROVE	OPERATION	DRAW	Peng	2021.07.05	SCALE	-	 SCONDAR ELECTRONIC LIMITED
A1	2021.07.05	Changed from SCT1253HA-xxP to SCT1253HA-xxBBE104			X.X	±0.35			UNIT	mm	
AO	2006.05.02	NEW			X.XX	±0.25			SIZE	A4	
					X.XXX	±0.15			SHEET	1/1	
					Angle	± 3'			PART NO.	SCT1253HA-xxBBE104	
					DIM	TOL			PROJ.	DF14 1.25mm Pitch Housing Connector	