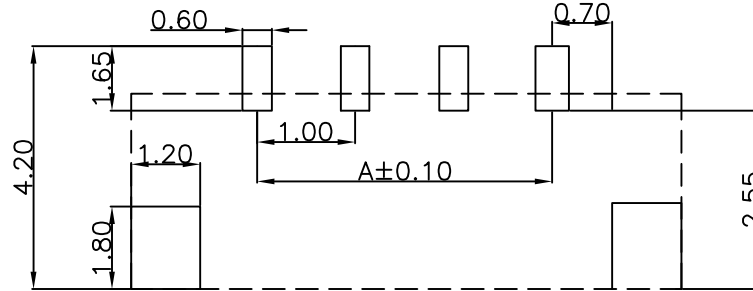


RoHS

Recommended P.C.B Layout  
General Tolerance±0.05



Specification:

- Current Rating: 1A AC/DC
- Voltage Rating: 50V AC/DC
- Insulation Resistance: 100MΩ Min
- Withstanding Voltage: 500VAC(1Min)
- Contact resistance: 20mΩ(Max).
- Operation Temperature: -40°C to +85°C

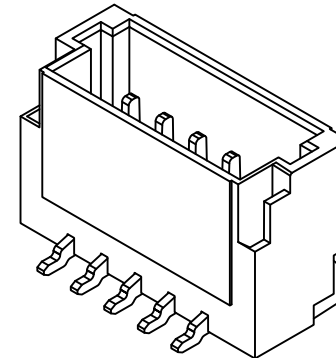
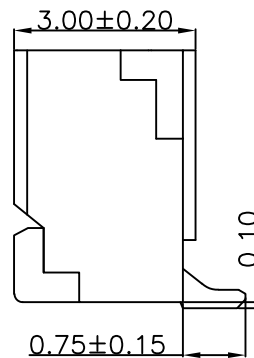
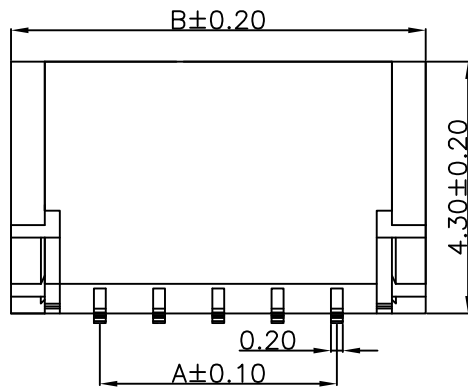
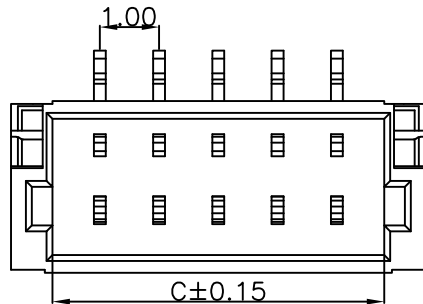
Material:

- Insulator (Housing): PA9T (UL94V-0)
- Contacts: Phos.Bronze,Tin Plated
- Q' TY: 1500Pcs/Reel
- Color: Beige

Ordering Information

SCT1001WVS - \*\* E 1 BE 101

No.of Pins See Table    Insulation E=PA9T    Package 1=Tape&Reel    Color BE=Beige



11	10.00	13.00	11.40	22	21.00	24.00	22.40
10	9.00	12.00	10.40	20	19.00	22.00	20.40
9	8.00	11.00	9.40	19	18.00	21.00	19.40
8	7.00	10.00	8.40	18	17.00	20.00	18.40
7	6.00	9.00	7.40	17	16.00	19.00	17.40
6	5.00	8.00	6.40	16	15.00	18.00	16.40
5	4.00	7.00	5.40	15	14.00	17.00	15.40
4	3.00	6.00	4.40	14	13.00	16.00	14.40
3	2.00	5.00	3.40	13	12.00	15.00	13.40
2	1.00	4.00	2.40	12	11.00	14.00	12.40
Poles	A	B	C	Poles	A	B	C
	Dimensions				Dimensions		

REV	DATE	MODIFICATION DESCRIPTION	CHANGE	APPROVE	OPERATION	DRAW	Peng	2021.07.02	SCALE	-	 SCONDAR ELECTRONIC LIMITED
A1	2021.07.02	Changed from SCT1001WV-S-xxP to SCT1001WVS-xxE1BE101			X.X	DESIGN			UNIT	mm	
AO	2006.05.02	NEW			X.XX	CHECK	Lisa	2021.07.02	SIZE	A4	
					X.XXX	APPROVE	Allen	2021.07.02	SHEET	1/1	
					Angle				PART NO.	SCT1001WVS-xxE1BE101	
					DIM				PROJECT	SH 1.00mm Pitch 180° SMT Wafer Connector	