

RoHS

Specification:

- Current Rating: 0.5A AC/DC
- Voltage Rating: 30V AC/DC
- Insulation Resistance: 100MΩ Min
- Withstanding Voltage: 200VAC(1Min)
- Contact resistance: 20mΩ(Max).
- Operation Temperature: -25°C to +85°C

Material:

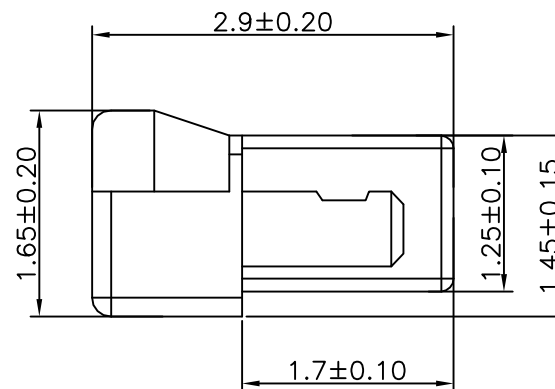
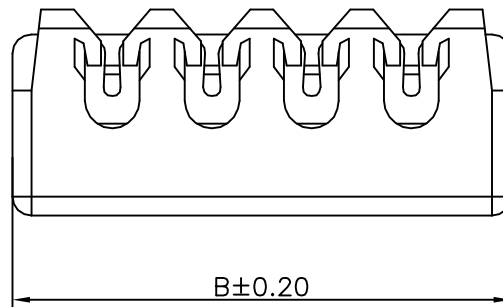
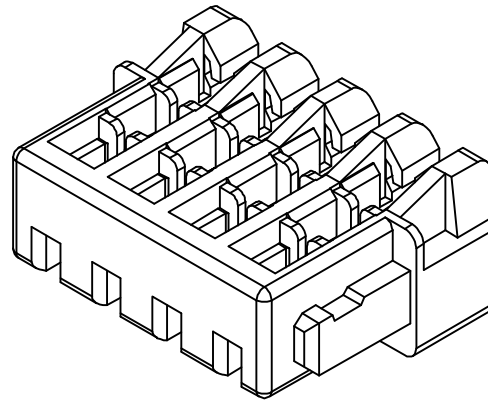
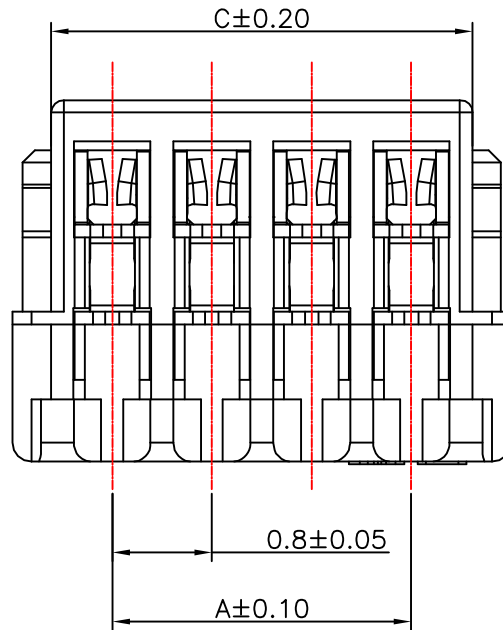
- Insulator (Housing): Nylon 66 (UL94V-0)
- Color: Natural(Beige)
- Insulation OD: 0.38mm Max
- Applicable Wire: AWG#32
- Material: Phosphor Bronze
- Finish: Gold Plated


Ordering Information

SCT0800HI- ** B WT 501

No.of Pins Insulation Color
See Table Nylon 66 (UL94V-0) WT=White

11	8.00	9.60	8.98	22	16.80	18.40	17.78
10	7.20	8.80	8.18	20	15.20	16.80	16.18
9	6.40	8.00	7.38	19	14.40	16.00	15.38
8	5.60	7.20	6.58	18	13.60	15.20	14.58
7	4.80	6.40	5.78	17	12.80	14.40	13.78
6	4.00	5.60	4.98	16	12.00	13.60	12.98
5	3.20	4.80	4.18	15	11.20	12.80	12.18
4	2.40	4.00	3.38	14	10.40	12.00	11.38
3	1.60	3.20	2.58	13	9.60	11.20	10.58
2	0.80	2.40	1.78	12	8.80	10.40	9.78
Poles	A	B	C	Poles	A	B	C
	Dimensions				Dimensions		



					OPERATION	DRAW	Peng	2021.07.05	SCALE	-	 SCONDAR ELECTRONIC LIMITED	
					X.X	±0.35			UNIT	mm		
	A1	2021.07.05	Changed from SCT0800HI-xxP to SCT0800HI-xxBWT501		X.XX	±0.25			SIZE	A4		
	AO	2006.05.02	NEW		X.XXX	±0.15		2021.07.05	SHEET	1/1		
REV	DATE	MODIFICATION DESCRIPTION	CHANGE	APPROVE	Angle	± 3'		2021.07.05	PROJ.	⊕	PART NO.	SCT0800HI-xxBWT501
					DIM	TOL	APPROVE	Allen			TITLE:	0.80mm Pitch IDC Single Connector