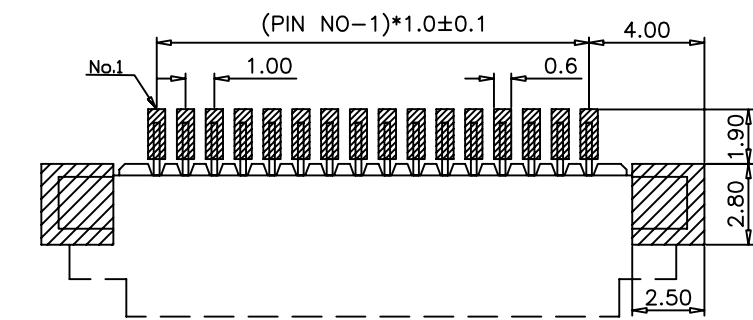
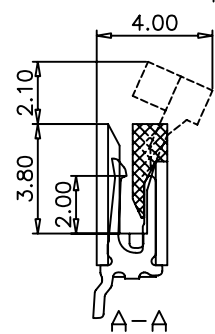
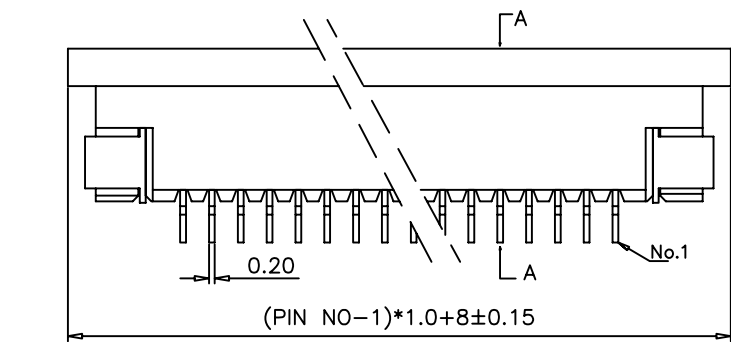


SPECIFICATIONS

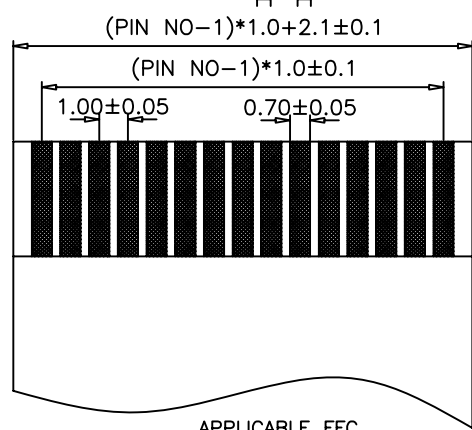
Voltage Rating: 50V AC/DC
 Current Rating: 0.5A AC/DC
 Withstanding Voltage: 500V AC/minute
 Insulation Resistance: 500MΩ min.
 Temperature Range: -25° C - +85° C
 Contact Resistance: 30mΩ max
 Poles: 4-60

MATERIAL

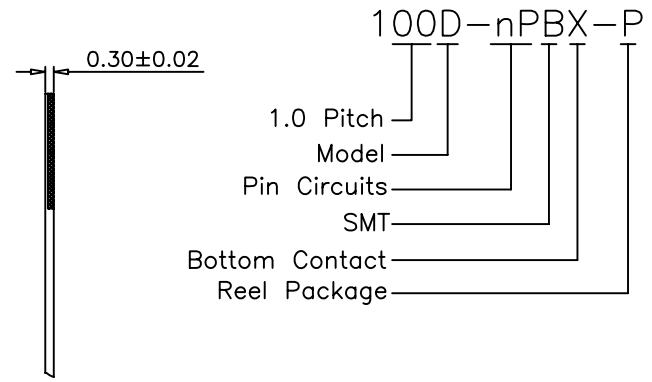
1. Housing: Nylon46 UL94V-0
2. Locker: PPS, UL94V-0
3. Contact: Phosphor bronze, Tin plated
4. Solder tab: Phosphor bronze, Tin plated



RECOMMENDED PCB LAYOUT



APPLICABLE FFC



						OPERATION	DRAW	CHENA	14/09/18	SCALE		森康达电子有限公司 SCONDAR ELECTRONIC LIMITED	
						~ 10 ±0.15	DESIGN			UNIT	mm		
						20 ~ 30 ±0.30	CHECK	Micky	14/09/18	SIZE	A4	PART NO.	100D-nPBX
0	05/12/27		NEW			30 ~ ±0.50	APPROVE	HELLEN	14/09/18	SHEET	1/1	TITLE:	1.0mm Pitch "D" SMT Bottom Contact FPC
REV	DATE		MODIFICATION DESCRIPTION	CHANGE	APPROVE	Angle DIM	APPROVE	HELLEN	14/09/18	PROJ.	◆	DRAWING NO.	100D-nPBX
1						TOL							