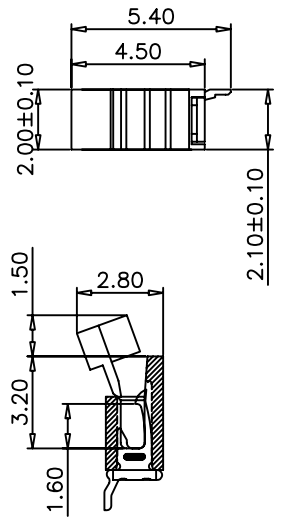
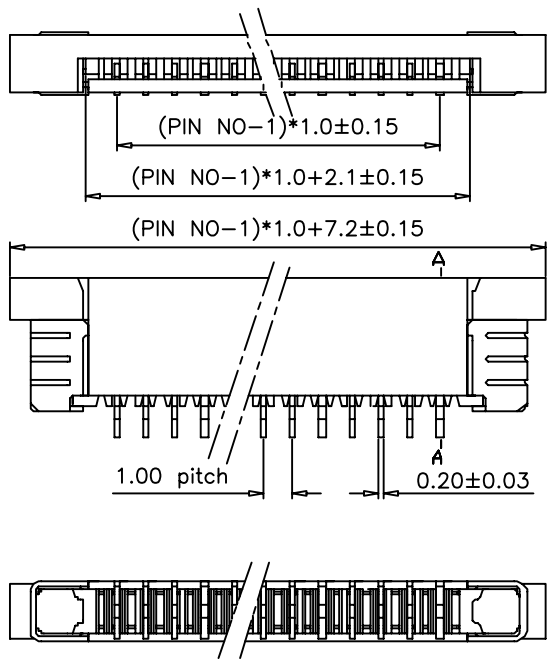


1 2 3 4 5 6 7 8 9 10

A  
B  
C  
D  
E  
F  
G

A  
B  
C  
D  
E  
F  
G



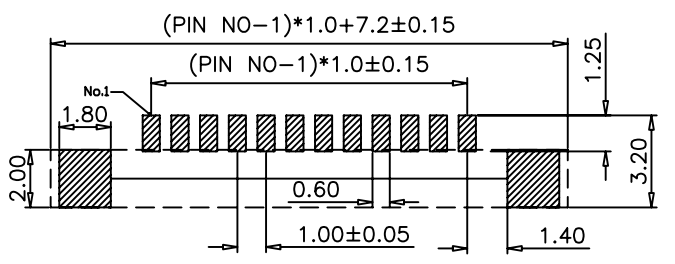
A-A

**SPECIFICATIONS**

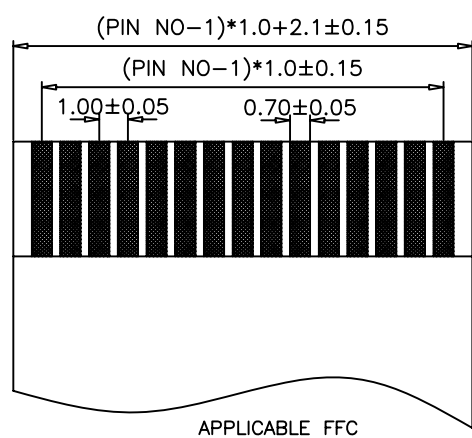
Voltage Rating: 50V AC/DC  
 Current Rating: 0.5A AC/DC  
 Withstanding Voltage: 500V AC/minute  
 Insulation Resistance: 500MΩ min.  
 Temperature Range: -25° C - +85° C  
 Contact Resistance: 30mΩ max  
 Poles: 4-60

**MATERIAL**

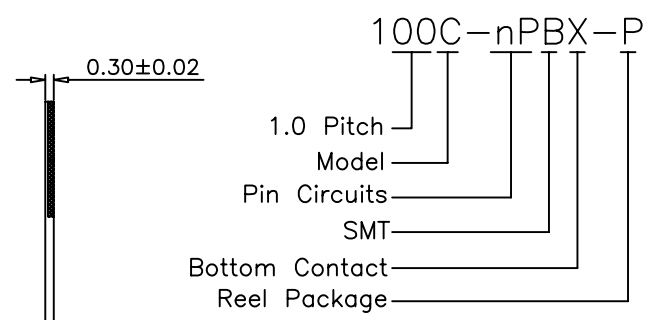
1. Housing: Nylon46 UL94V-0
2. Locker: PPS, UL94V-0
3. Contact: Phosphor bronze, Tin plated
4. Solder tab: Phosphor bronze, Tin plated



RECOMMENDED PCB LAYOUT



APPLICABLE FFC



						OPERATION	DRAW	CHENA	14/09/18	SCALE		森康达电子有限公司 SCONDAR ELECTRONIC LIMITED	
						~ 10 ±0.15	DESIGN			UNIT	mm		
						20 ~ 30 ±0.30	CHECK	Micky	14/09/18	SIZE	A4	PART NO.	100C-nPBX
0	05/12/27		NEW			30 ~ ±0.50	APPROVE	HELLEN	14/09/18	SHEET	1/1	TITLE:	1.0mm Pitch "c"SMT Bottom Contact FPC
REV	DATE		MODIFICATION DESCRIPTION	CHANGE	APPROVE	Angle DIM	APPROVE	HELLEN	14/09/18	PROJ.	◆	DRAWING NO.	100C-nPBX

1 2 3 4 5 6 7 8 9 10

H