

SPECIFICATIONS

Voltage Rating: 250V AC/DC

Current Rating: 10A AC/DC

Withstanding Voltage: 1500V AC/minute

Insulation Resistance: 1000MΩ min.

Temperature Range: -25° C - +85° C

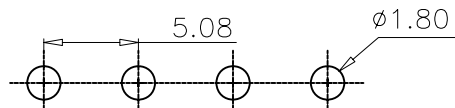
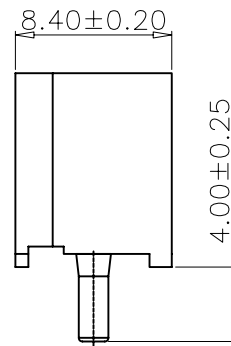
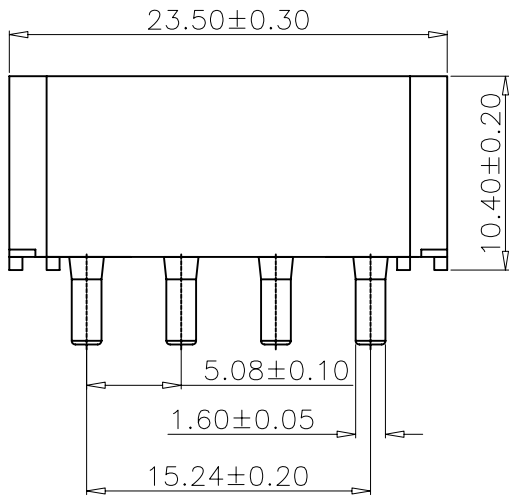
Contact Resistance: 20mΩ max

WAFER

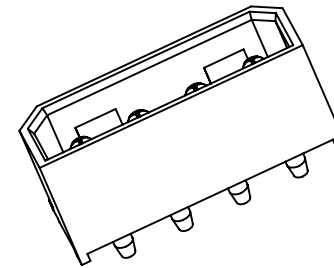
Part No: SCT5083WVA-04P


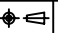
Material: Nylon 66, UL94V-2

Pin: Brass, Tin plated



P.C.B LAYOUT



						OPERATION	DRAW	SIMON	2015.01.19	SCALE		 森康达电子有限公司 SCONDAR ELECTRONIC LIMITED	
						~ 10 ±0.15	DESIGN			UNIT	mm		
						20 ~ 30 ±0.30	CHECK	MICKY	2015.01.19	SIZE	A4	PART NO.	SCT5083WVA-04P
						30 ~ ±0.50	APPROVE	HELLEN	2015.01.19	SHEET	1/1	TITLE:	MOLEX8981 180C WAFER
REV	DATE	MODIFICATION DESCRIPTION	CHANGE	APPROVE		Angle DIM				PROJ.		DRAWING NO.	SCT5083