

1 2 3 4 5 6 7 8 9 10

A

B

C

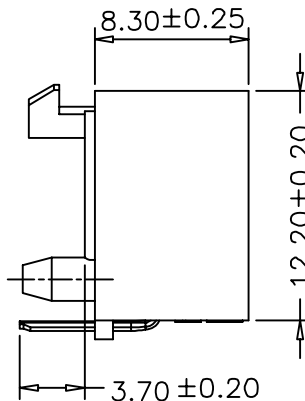
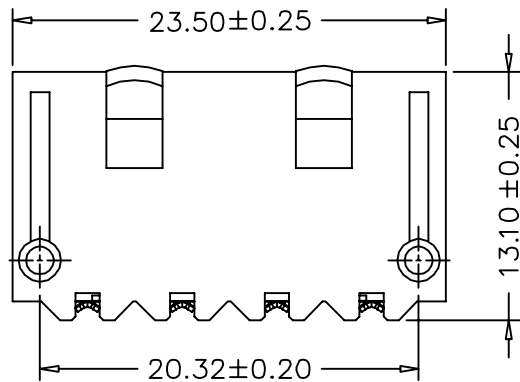
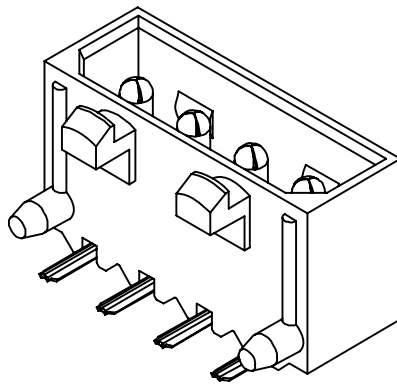
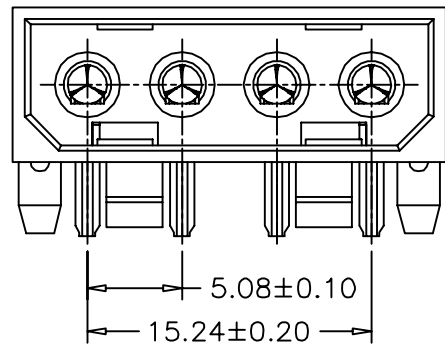
D

E

F

G

H



SPECIFICATIONS

Voltage Rating: 250V AC/DC

Current Rating: 10A AC/DC

Withstanding Voltage: 1500V AC/minute

Insulation Resistance: 1000MΩ min.

Temperature Range: -25° C - +85° C

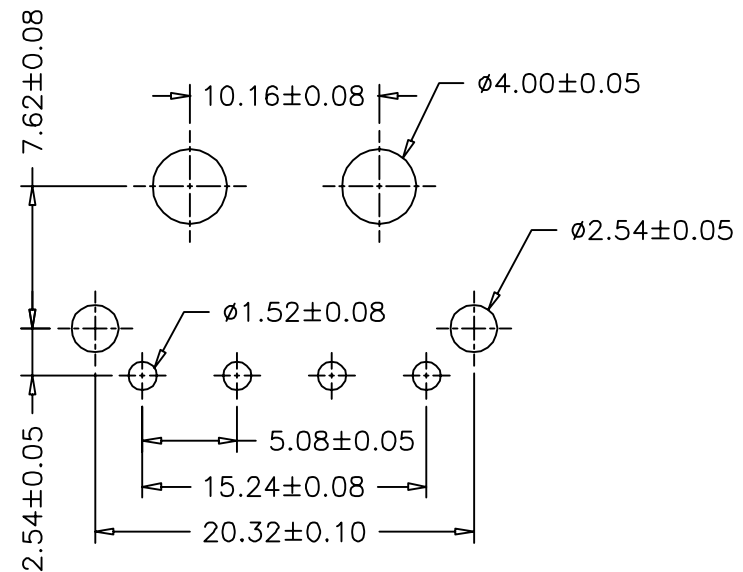
Contact Resistance: 20mΩ max

WAFER


Part No: SCT5083WRA-F-04P

Material: Nylon 66, UL94V-2

Pin: Brass, Tin plated



P.C.B. LAYOUT

						OPERATION	DRAW	JUDY	2007.05.09	SCALE		 森康达电子有限公司 SCONDAR ELECTRONIC LIMITED	
						~ 10 ±0.15	DESIGN			UNIT	mm		
						20 ~ 30 ±0.30	CHECK	MICKY	2007.05.09	SIZE	A4	PART NO.	SCT5083WRA-F-04P
						30 ~ ±0.50	APPROVE	HELLEN	2007.05.09	SHEET	1/1	TITLE:	MOLEX8981 90C WAFER
REV	DATE	MODIFICATION DESCRIPTION	CHANGE	APPROVE		Angle ± 2'				PROJ.	◆	DRAWING NO.	SCT5083

1 2 3 4 5 6 7 8 9 10