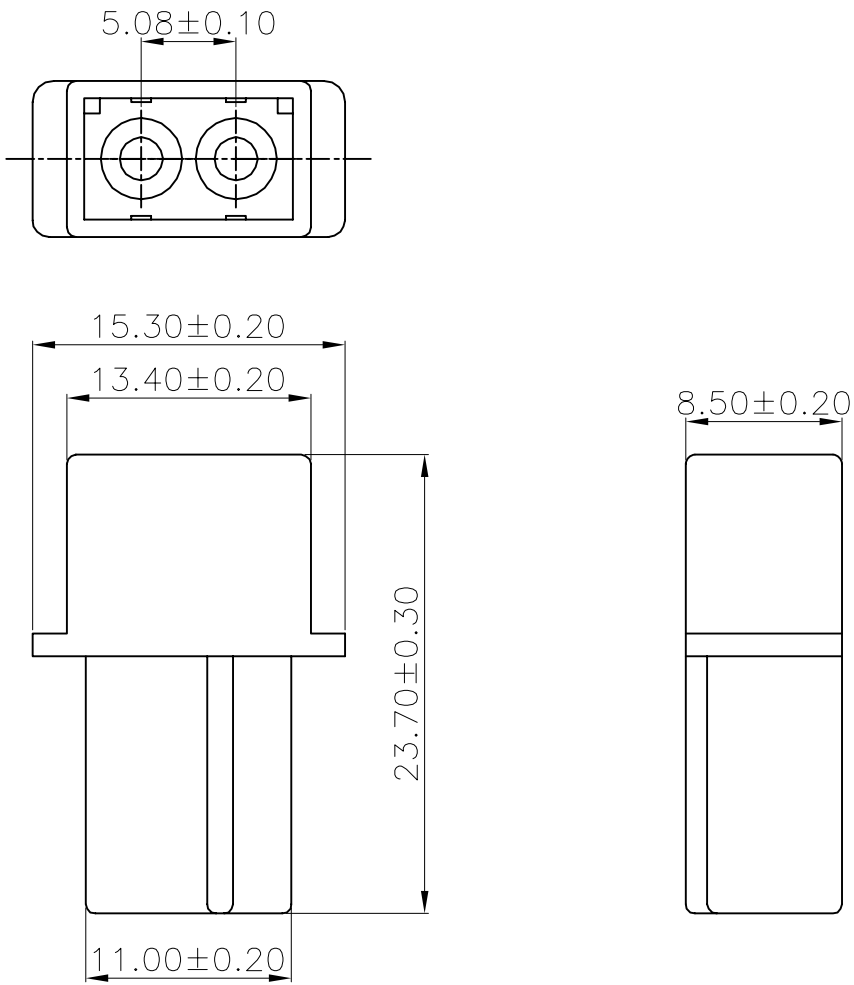


1 2 3 4 5 6 7 8 9 10

A  
B  
C  
D  
E  
F  
G




**SPECIFICATIONS**

Voltage Rating: 250V AC/DC  
 Current Rating: 10A AC/DC  
 Withstanding Voltage: 1500V AC/minute  
 Insulation Resistance: 1000MΩ min.  
 Temperature Range: -25° C - +85° C  
 Contact Resistance: 20mΩ max

**HOUSING**

Part No: SCT5083FH-04PB  
 Material: Nylon 66, UL94V-2

A  
B  
C  
D  
E  
F  
G

						OPERATION	DRAW	JUDY	2007.05.09	SCALE		 森康达电子有限公司 SCONDAR ELECTRONIC LIMITED	
						~ 10 ±0.15	DESIGN			UNIT	mm		
						20 ~ 30 ±0.30	CHECK	MICKY	2007.05.09	SIZE	A4	PART NO.	SCT5083FH-04PB
0	05/12/27		NEW			30 ~ ±0.50	APPROVE	HELLEN	2007.05.09	SHEET	1/1	TITLE:	MOLEX8981 FEMALE Housing
REV	DATE		MODIFICATION DESCRIPTION	CHANGE	APPROVE	Angle ± 2' DIM TOL				PROJ.	↺	DRAWING NO.	SCT5083

1 2 3 4 5 6 7 8 9 10