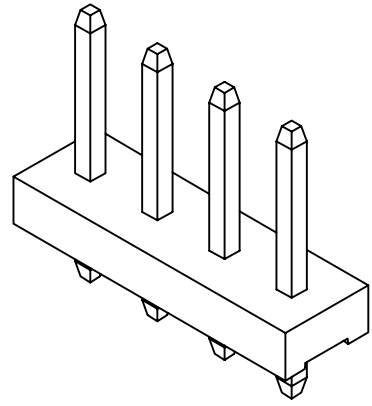
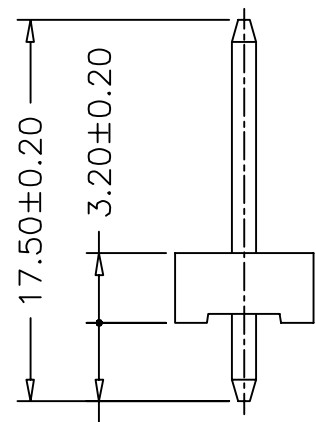
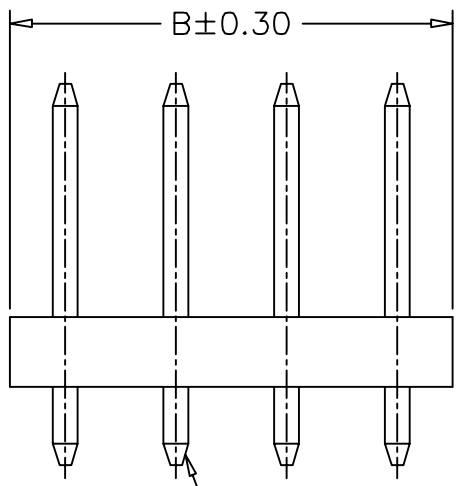


P.C.B LAYOUT



SPECIFICATIONS
 Current Rating: 7A AC,DC
 Voltage Rating: 250V AC,DC
 Temperature Range: -25°C ~ +85°C
 Contact Resistance: 10mΩ Max
 Insulation Resistance: 1000MΩ Min
 Withstanding Voltage: 1500V AC/minute
 Pin Material: Brass/Tin-plated
 Material: Nylon 66,UL94V-2
 Color: Natural(Translucent)



PIN 1.14 SQ 3.60±0.20

Ordering Information & Dimensions

PART NO.	Dimensions	
	A	B
SCT5080WVA-02PC	5.08	10.16
SCT5080WVA-03PC	10.16	15.24
SCT5080WVA-04PC	15.24	20.32
SCT5080WVA-05PC	20.32	25.40
SCT5080WVA-06PC	25.40	30.48
SCT5080WVA-07PC	30.48	35.56
SCT5080WVA-08PC	35.56	40.64
SCT5080WVA-09PC	40.64	45.72

					OPERATION	DRAW			SCALE		森康达电子有限公司 SCONDAR ELECTRONIC LIMITED	
					~ 10 ±0.15	DESIGN			UNIT	mm		
					20 ~ 30 ±0.30	CHECK			SIZE	A4	PART NO.	SCT5080WVA-XXPC
0	05/12/27	NEW			30 ~ ±0.50	APPROVE			SHEET	1/1	TITLE:	MX5.08 180C WF
REV	DATE	MODIFICATION DESCRIPTION	CHANGE	APPROVE	Angle ± 2° DIM TOL				PROJ.	◆	DRAWING NO.	SCT5080