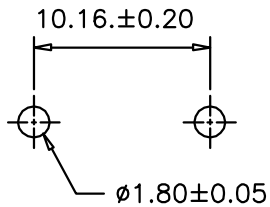
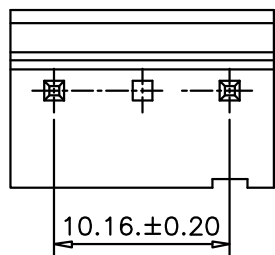


1 2 3 4 5 6 7 8 9 10

A
B
C
D
E
F
G

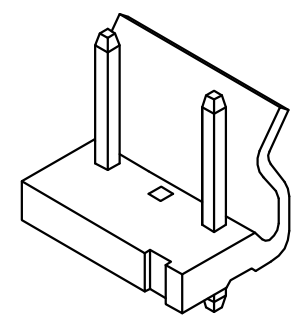
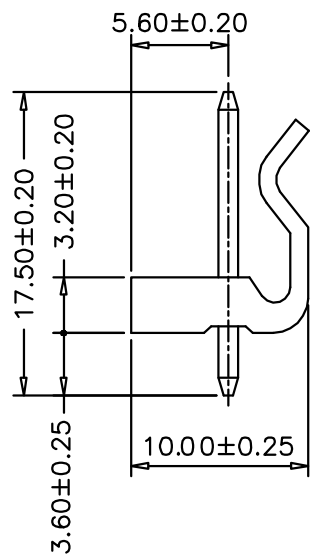
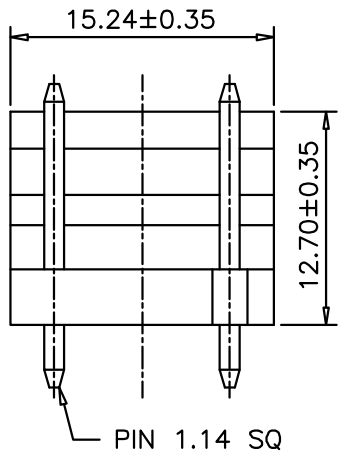
A
B
C
D
E
F
G




P.C.B LAYOUT

SPECIFICATIONS
 Voltage Rating: 250V AC/DC
 Current Rating: 7A AC/DC
 Withstanding Voltage: 1500V AC/minute
 Insulation Resistance: 1000MΩ min.
 Temperature Range: -25° C - +85° C
 Contact Resistance: 20mΩ max

WAFER
 Part No: SCT5080WV-03P(K, 2)
 Material: Nylon 66, UL94V-2
 Pin: Brass, Tin plated



						OPERATION	DRAW	JUDY	2007.05.09	SCALE		 森康达电子有限公司 S'CONDAR ELECTRONIC LIMITED	
						~ 10 ±0.15	DESIGN			UNIT	mm		
						20 ~ 30 ±0.30	CHECK	MICKY	2007.05.09	SIZE	A4	PART NO.	SCT5080WV-03P(K,2)
						30 ~ ±0.50	APPROVE	HELLEN	2007.05.09	SHEET	1/1	TITLE:	MX5.08 180C WAFER
REV	DATE	MODIFICATION DESCRIPTION	CHANGE	APPROVE		Angle DIM				PROJ.	↯	DRAWING NO.	SCT5080

1 2 3 4 5 6 7 8 9 10