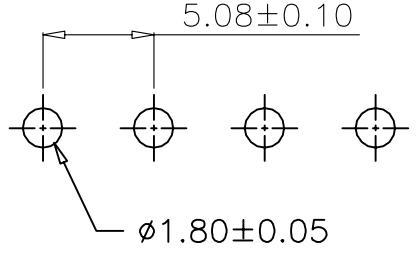
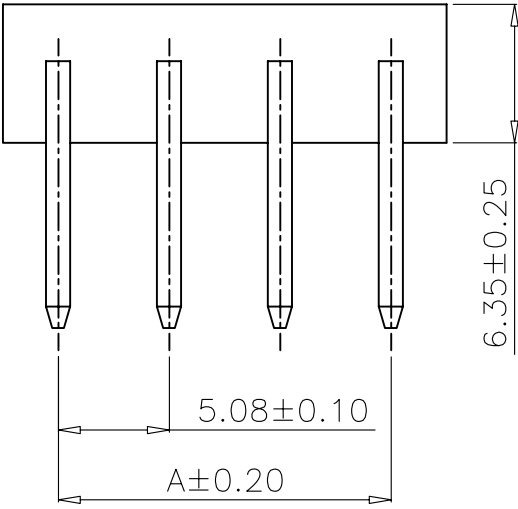
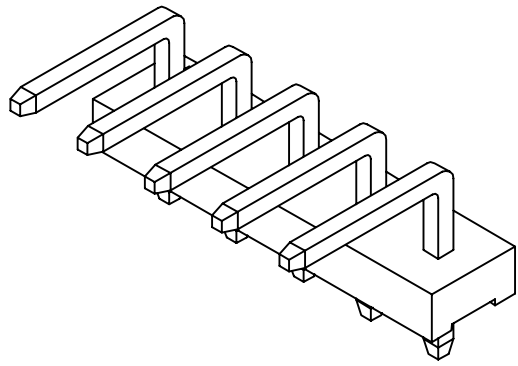


1 2 3 4 5 6 7 8 9 10

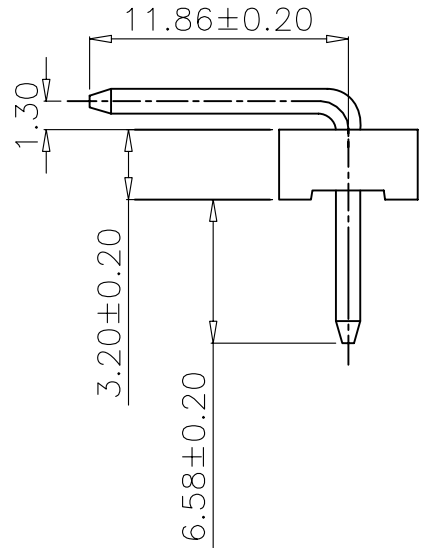
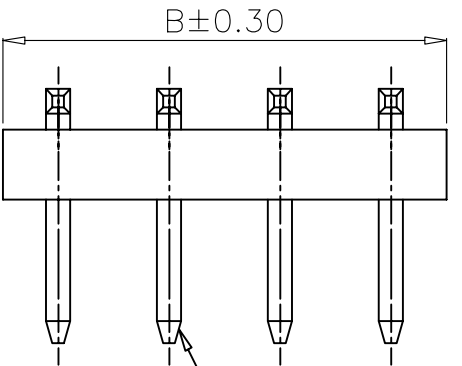
A
B
C
D
E
F
G



P.C.B LAYOUT



SPECIFICATIONS
 Current Rating: 7A AC,DC
 Voltage Rating: 250V AC,DC
 Temperature Range: -25°C ~ +85°C
 Contact Resistance: 10mΩ Max
 Insulation Resistance: 1000MΩ Min
 Withstanding Voltage: 1500V AC/minute
 Pin Material: Brass/Tin-plated
 Material: Nylon 66,UL94V-2
 Color: Natural(Translucent)



Ordering Information & Dimensions

PART NO.	Dimensions	
	A	B
SCT5080WRA-02P	5.08	10.16
SCT5080WRA-03P	10.16	15.24
SCT5080WRA-04P	15.24	20.32
SCT5080WRA-05P	20.32	25.40
SCT5080WRA-06P	25.40	30.48
SCT5080WRA-07P	30.48	35.56
SCT5080WRA-08P	35.56	40.64
SCT5080WRA-09P	40.64	45.72

					OPERATION	DRAW	SIMON	2015.03.24	SCALE		森康达电子有限公司 SCONDAR ELECTRONIC LIMITED	
					~ 10 ± 0.15	DESIGN			UNIT	mm		
					20 ~ 30 ± 0.30	CHECK	MICKY	2015.03.24	SIZE	A4	PART NO.	SCT5080WRA-XXP
0	05/12/27				30 ~ ± 0.50	APPROVE	HELLEN	2015.03.24	SHEET	1/1	TITLE:	MX5.08 90C WF
REV	DATE	MODIFICATION DESCRIPTION	CHANGE	APPROVE	Angle ± 2° DIM TOL	APPROVE	HELLEN	2015.03.24	PROJ.	◆	DRAWING NO.	SCT5080

1 2 3 4 5 6 7 8 9 10