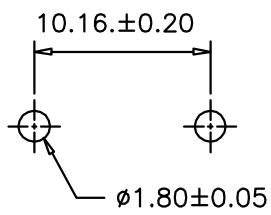
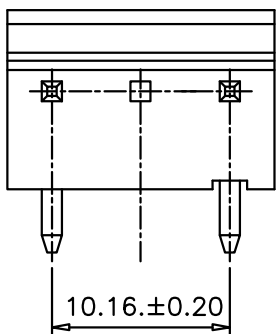


1 2 3 4 5 6 7 8 9 10

A
B
C
D
E
F
G

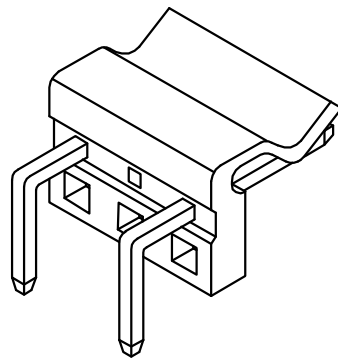
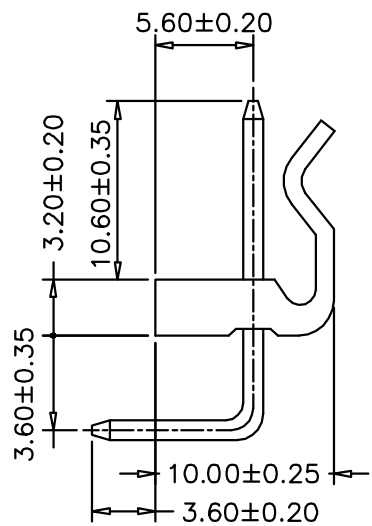
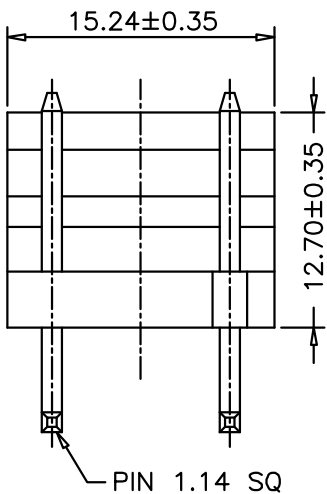
A
B
C
D
E
F
G



P.C.B LAYOUT

SPECIFICATIONS
 Voltage Rating: 250V AC/DC
 Current Rating: 7A AC/DC
 Withstanding Voltage: 1500V AC/minute
 Insulation Resistance: 1000MΩ min.
 Temperature Range: -25° C - +85° C
 Contact Resistance: 20mΩ max

WAFER
 Part No: SCT5080WR-03P (K, 2)
 Material: Nylon 66, UL94V-2
 Pin: Brass, Tin plated



					OPERATION	DRAW	JUDY	2007.05.09	SCALE		森康达电子有限公司 S'CONDAR ELECTRONIC LIMITED	
					~ 10 ±0.15	DESIGN			UNIT	mm		
					20 ~ 30 ±0.30	CHECK	MICKY	2007.05.09	SIZE	A4	PART NO.	SCT5080WR-03P(K,2)
					30 ~ ±0.50	APPROVE	HELLEN	2007.05.09	SHEET	1/1	TITLE:	MX5.08 90C WAFER
REV	DATE	MODIFICATION DESCRIPTION	CHANGE	APPROVE	Angle DIM	APPROVE	HELLEN	2007.05.09	PROJ.	DRAWING NO.	SCT5080	

1 2 3 4 5 6 7 8 9 10