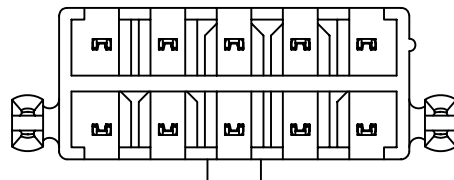
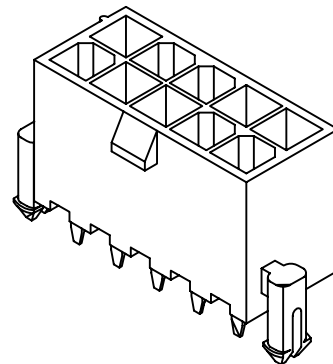
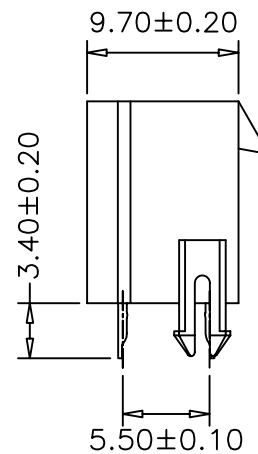
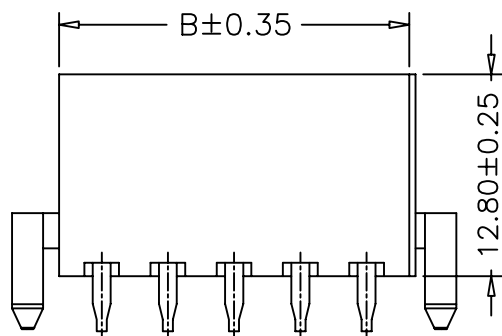


P.C.B LAYOUT



SPECIFICATIONS

Voltage Rating: 600V AC/DC

Current Rating: 9A AC/DC

Withstanding Voltage: 1500V AC/minute

Insulation Resistance: 1000MΩ min.

Temperature Range: -25° C - +85° C

Contact Resistance: 20mΩ max

WAFER

Part No: SCT4201WVA-F-2xXXP

Pole: 2x1-12

Material: Nylon 66, UL94V-2

Pin: Brass, Tin plated

PART NO.	Dimensions	
	A	B
SCT4201WVA-F-2X01P	---	5.60
SCT4201WVA-F-2X02P	4.20	9.80
SCT4201WVA-F-2X03P	8.40	14.00
SCT4201WVA-F-2X04P	12.60	18.20
SCT4201WVA-F-2X05P	16.80	22.40
SCT4201WVA-F-2X06P	21.00	26.60
SCT4201WVA-F-2X07P	25.20	30.80
SCT4201WVA-F-2X08P	29.40	35.00
SCT4201WVA-F-2X09P	33.60	39.20
SCT4201WVA-F-2X10P	37.80	43.40
SCT4201WVA-F-2X11P	42.00	47.60
SCT4201WVA-F-2X12P	46.20	51.80

REV	DATE	MODIFICATION DESCRIPTION	CHANGE	APPROVE	OPERATION	DRAW	JUDY	2007.05.09	SCALE	UNIT	mm	PART NO.	SCT4201WVA-F-2xXXP
0	05/12/27	NEW			~ 10 ±0.15	DESIGN				SIZE	A4	TITLE:	MOLEX4.2 180C WAFER
					20 ~ 30 ±0.30	CHECK	MICKY	2007.05.09		SHEET	1/1	DRAWING NO.	SCT4201
					30 ~ ±0.50	APPROVE	HELLEN	2007.05.09		PROJ.	◆		
					Angle ± 2'								
					DIM TOL								

SCONDAR 森康达电子有限公司
SCONDAR ELECTRONIC LIMITED