

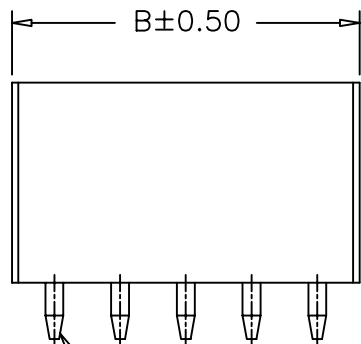
P.C.B LAYOUT

SPECIFICATIONS

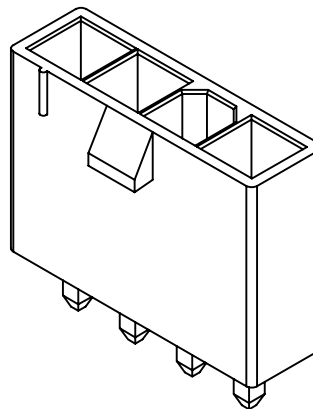
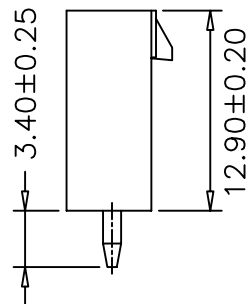
Voltage Rating: 600V AC/DC
 Current Rating: 9A AC/DC
 Withstanding Voltage: 1500V AC/minute
 Insulation Resistance: 1000MΩ min.
 Temperature Range: -25° C - +85° C
 Contact Resistance: 20mΩ max

WAFER

Part No: SCT4201WV-XXP
 Pole: 02-05
 Material: Nylon 66, UL94V-2
 Pin: Brass, Tin plated



PIN 1.10 SQ



| PART NO. | Dimensions | |
|---------------|------------|-------|
| | A | B |
| SCT4201WV-02P | 4.20 | 9.60 |
| SCT4201WV-03P | 8.40 | 13.80 |
| SCT4201WV-04P | 12.60 | 18.00 |
| SCT4201WV-05P | 16.80 | 22.20 |

| | | | | | | | | | | | | |
|-----|----------|--------------------------|--------|---------|---------------|-------------|---------|------------|------------|-------|---|---------------------|
| | | | | | OPERATION | DRAW | JUDY | 2007.05.09 | SCALE | | 森康达电子有限公司 SCONDAR ELECTRONIC LIMITED | |
| | | | | | ~ 10 ±0.15 | DESIGN | | | UNIT | mm | | |
| | | | | | 20 ~ 30 ±0.30 | CHECK | MICKY | 2007.05.09 | SIZE | A4 | PART NO. | SCT4201WV-XXP |
| 0 | 05/12/27 | NEW | | | 30 ~ ±0.50 | APPROVE | HELLEN | 2007.05.09 | SHEET | 1/1 | TITLE: | MOLEX4.2 180C WAFER |
| REV | DATE | MODIFICATION DESCRIPTION | CHANGE | APPROVE | Angle DIM | ± 2' TOL | APPROVE | HELLEN | 2007.05.09 | PROJ. | DRAWING NO. | SCT4201 |