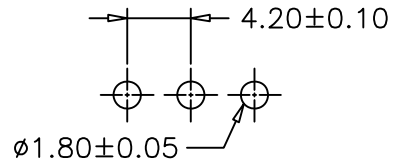
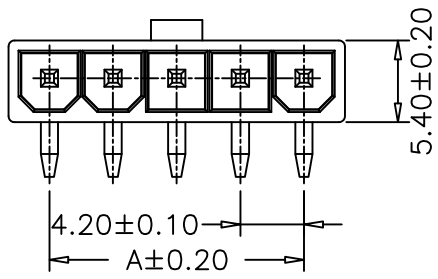


1 2 3 4 5 6 7 8 9 10

A
B
C
D
E
F
G

A
B
C
D
E
F
G



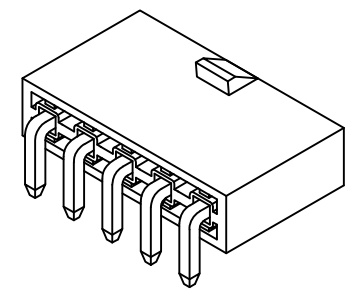
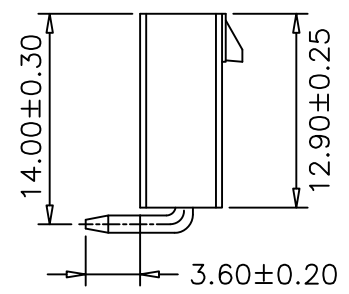
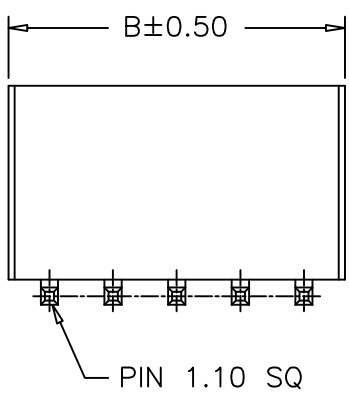
P.C.B LAYOUT

SPECIFICATIONS

Voltage Rating: 600V AC/DC
 Current Rating: 9A AC/DC
 Withstanding Voltage: 1500V AC/minute
 Insulation Resistance: 1000MΩ min.
 Temperature Range: -25° C - +85° C
 Contact Resistance: 20mΩ max

WAFER

Part No: SCT4201WR-XXP
 Pole: 02-06
 Material: Nylon 66, UL94V-2
 Pin: Brass, Tin plated



PART NO.	Dimensions	
	A	B
SCT4201WR- 02P	4.20	9.60
SCT4201WR- 03P	8.40	13.80
SCT4201WR- 04P	12.60	18.00
SCT4201WR- 05P	16.80	22.20
SCT4201WR- 06P	21.00	26.40

					OPERATION	DRAW	YANG	2016.10.27	SCALE		森康达电子有限公司 S'CONDAR ELECTRONIC LIMITED	
					~ 10 ±0.15	DESIGN			UNIT	mm		
					20 ~ 30 ±0.30	CHECK	MICKY	2016.10.27	SIZE	A4	PART NO.	SCT4201WR-XXP
0	05/12/27		NEW		30 ~ ±0.50	APPROVE	ALLEN	2016.10.27	SHEET	1/1	TITLE:	MOLEX4.2 90C WAFER
REV	DATE		MODIFICATION DESCRIPTION	CHANGE	APPROVE				PROJ.		DRAWING NO.	SCT4201

1 2 3 4 5 6 7 8 9 10

H

H