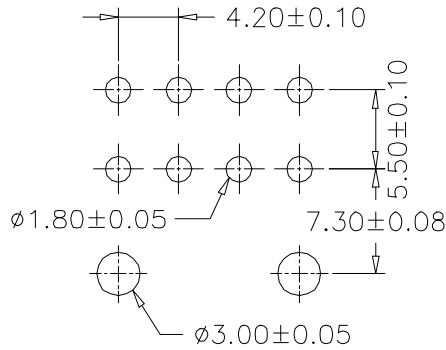
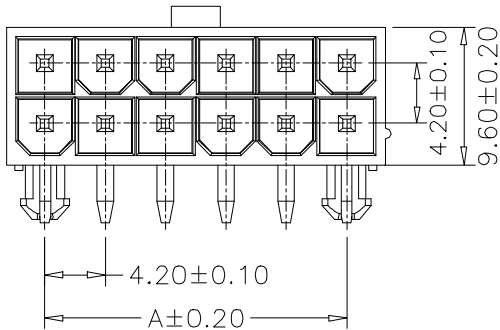


1 2 3 4 5 6 7 8 9 10

A
B
C
D
E
F
G
H

A
B
C
D
E
F
G
H



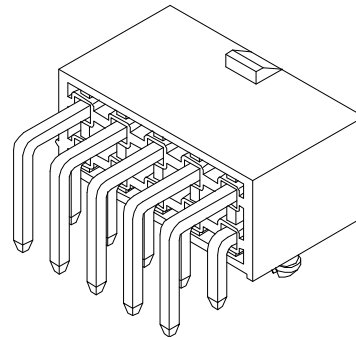
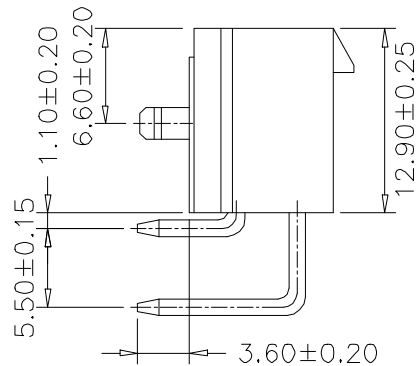
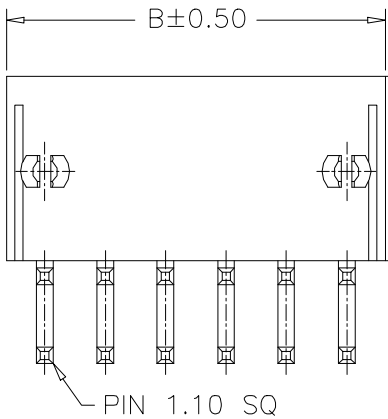
P.C.B LAYOUT

SPECIFICATIONS

Voltage Rating: 600V AC/DC
Current Rating: 9A AC/DC
Withstanding Voltage: 1500V AC/minute
Insulation Resistance: 1000M Ω min.
Temperature Range: -25° C - +85° C
Contact Resistance: 20m Ω max

WAFER

Part No: SCT4201WR-F-2xXXP
Pole: 2x1-12
Material: Nylon 66, UL94V-2
Pin: Brass, Tin plated



PART NO.	Dimensions	
	A	B
SCT4201WR-F-2X01P	---	5.40
SCT4201WR-F-2X02P	4.20	9.60
SCT4201WR-F-2X03P	8.40	13.80
SCT4201WR-F-2X04P	12.60	18.00
SCT4201WR-F-2X05P	16.80	22.20
SCT4201WR-F-2X06P	21.00	26.40
SCT4201WR-F-2X07P	25.20	30.60
SCT4201WR-F-2X08P	29.40	34.80
SCT4201WR-F-2X09P	33.60	39.00
SCT4201WR-F-2X10P	37.80	43.20
SCT4201WR-F-2X11P	42.00	47.40
SCT4201WR-F-2X12P	46.20	51.60

					OPERATION	DRAW	JUDY	2007.05.09	SCALE		森康达电子有限公司 SCONDAR ELECTRONIC LIMITED	
					~ 10 ±0.15	DESIGN			UNIT	mm		
					20 ~ 30 ±0.30	CHECK	MICKY	2007.05.09	SIZE	A4	PART NO.	SCT4201WR-F-2xXXP
0	05/12/27		NEW		30 ~ ±0.50	APPROVE	HELLEN	2007.05.09	SHEET	1/1	TITLE:	MOLEX4.2 90C WAFER
REV	DATE		MODIFICATION DESCRIPTION	CHANGE	APPROVE	Angle ± 2'			PROJ.	◆ ←	DRAWING NO.	SCT4201
					DIM TOL							

1 2 3 4 5 6 7 8 9 10