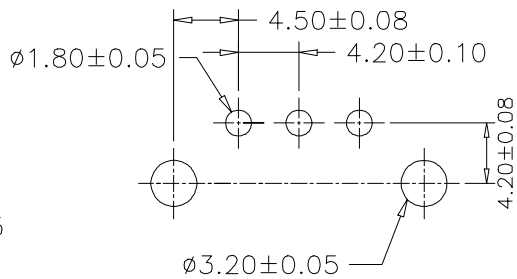
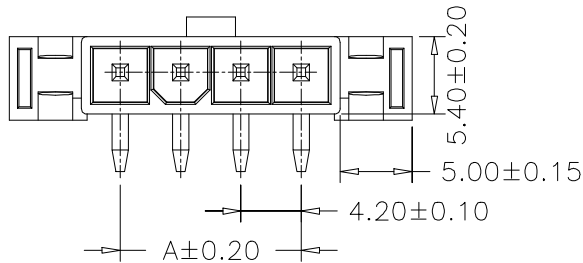


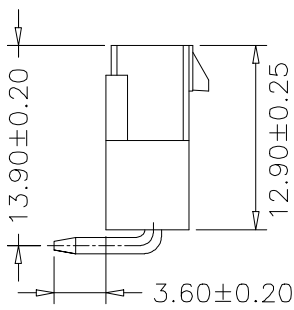
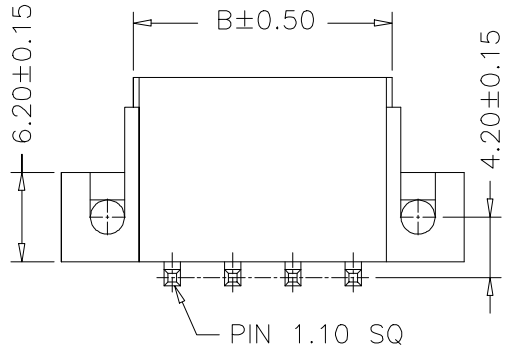
1 2 3 4 5 6 7 8 9 10

A
B
C
D
E
F
G

A
B
C
D
E
F
G



P.C.B LAYOUT

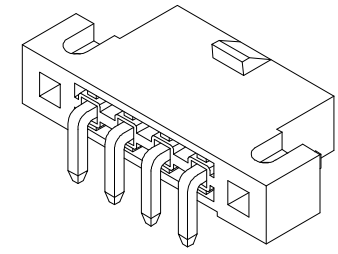


SPECIFICATIONS

Voltage Rating: 600V AC/DC
Current Rating: 9A AC/DC
Withstanding Voltage: 1500V AC/minute
Insulation Resistance: 1000MΩ min.
Temperature Range: -25° C - +85° C
Contact Resistance: 20mΩ max

WAFER

Part No: SCT4201WR-E-XXP
Pole: 02-05
Material: Nylon 66, UL94V-2
Pin: Brass, Tin plated



PART NO.	Dimensions	
	A	B
SCT4201WR-E-02P	4.20	9.60
SCT4201WR-E-03P	8.40	13.80
SCT4201WR-E-04P	12.60	18.00
SCT4201WR-E-05P	16.80	22.20

					OPERATION	DRAW	JUDY	2007.05.09	SCALE		森康达电子有限公司 SCONDAR ELECTRONIC LIMITED	
					~ 10 ±0.15	DESIGN			UNIT	mm		
					20 ~ 30 ±0.30	CHECK	MICKY	2007.05.09	SIZE	A4	PART NO.	SCT4201WR-E-XXP
0	05/12/27	NEW			30 ~ ±0.50	APPROVE	HELLEN	2007.05.09	SHEET	1/1	TITLE:	MOLEX4.2 90C WAFER
REV	DATE	MODIFICATION DESCRIPTION		CHANGE	APPROVE				PROJ.	◆ ←	DRAWING NO.	SCT4201

1 2 3 4 5 6 7 8 9 10