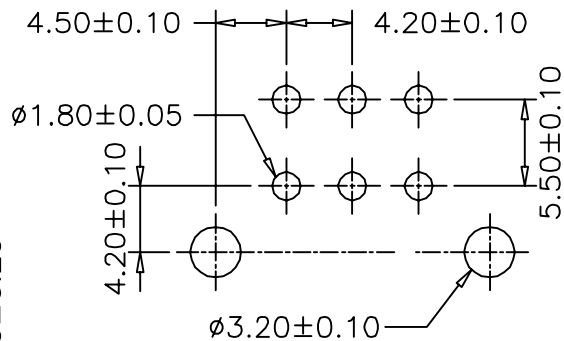
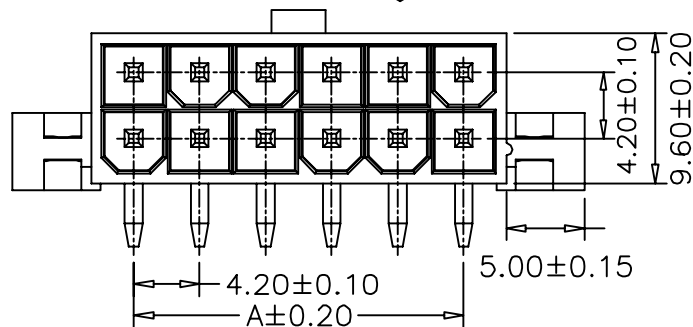
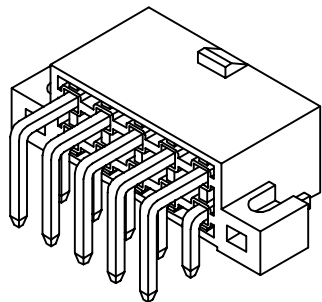


1 2 3 4 5 6 7 8 9 10

A
B
C
D
E
F
G

A
B
C
D
E
F
G



P.C.B LAYOUT

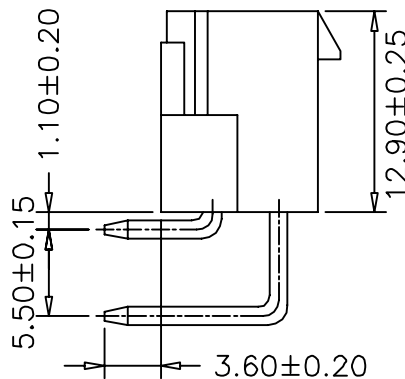
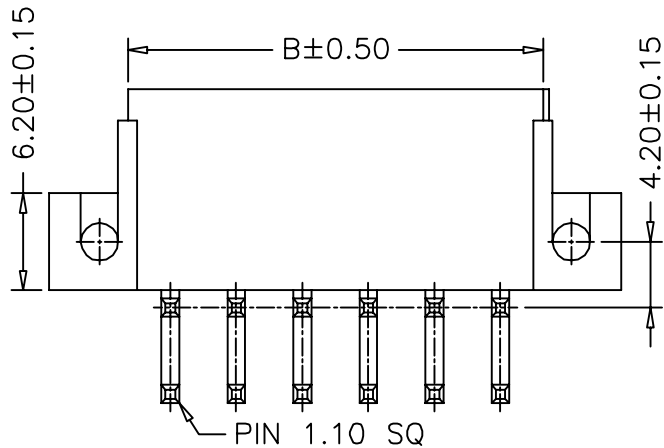
SPECIFICATIONS

Voltage Rating: 600V AC/DC
 Current Rating: 9A AC/DC
 Withstanding Voltage: 1500V AC/minute
 Insulation Resistance: 1000MΩ min.
 Temperature Range: -25° C - +85° C
 Contact Resistance: 20mΩ max

WAFER

Part No: SCT4201WR-E-2xXXP
 Pole: 2x1-12
 Material: Nylon 66, UL94V-2
 Pin: Brass, Tin plated

PART NO.	Dimensions	
	A	B
SCT4201WR-E-2X01P	---	5.40
SCT4201WR-E-2X02P	4.20	9.60
SCT4201WR-E-2X03P	8.40	13.80
SCT4201WR-E-2X04P	12.60	18.00
SCT4201WR-E-2X05P	16.80	22.20
SCT4201WR-E-2X06P	21.00	26.40
SCT4201WR-E-2X07P	25.20	30.60
SCT4201WR-E-2X08P	29.40	34.80
SCT4201WR-E-2X09P	33.60	39.00
SCT4201WR-E-2X10P	37.80	43.20
SCT4201WR-E-2X11P	42.00	47.40
SCT4201WR-E-2X12P	46.20	51.60



REV	DATE	MODIFICATION DESCRIPTION	CHANGE	APPROVE	OPERATION	DRAW	JUDY	2007.05.09	SCALE	UNIT	mm	PART NO.	SCT4201WR-E-2xXXP
0	05/12/27	NEW			~ 10 ±0.15	DESIGN							
					20 ~ 30 ±0.30	CHECK	MICKY	2007.05.09				TITLE:	MOLEX4.2 90C WAFER
					30 ~ ±0.50	APPROVE	HELLEN	2007.05.09				DRAWING NO.	SCT4201

SCONDAR 森康达电子有限公司
 SCONDAR ELECTRONIC LIMITED

1 2 3 4 5 6 7 8 9 10

H

H