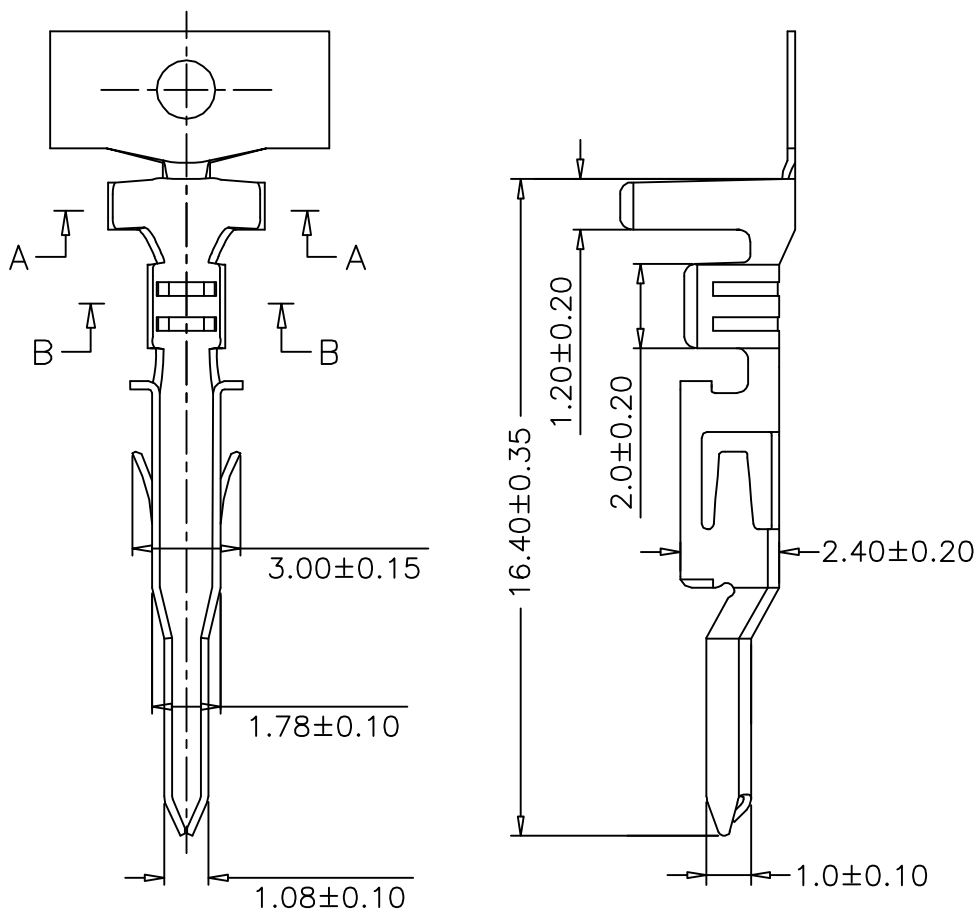


1 2 3 4 5 6 7 8 9 10

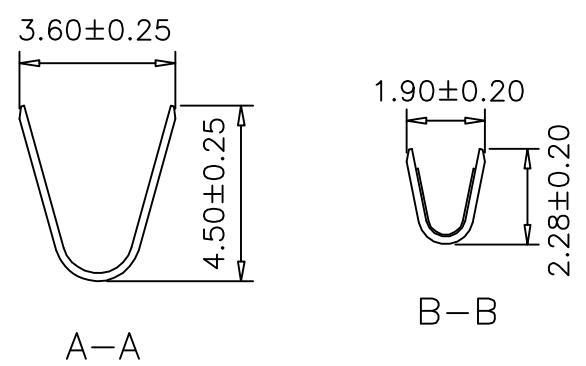
A
B
C
D
E
F
G

A
B
C
D
E
F
G



SPECIFICATIONS
 Voltage Rating: 600V AC/DC
 Current Rating: 9A AC/DC
 Withstanding Voltage: 1500V AC/minute
 Insulation Resistance: 1000M Ω min.
 Temperature Range: -25 $^{\circ}$ C - +85 $^{\circ}$ C
 Contact Resistance: 20m Ω max

TERMINAL
 Part No: SCT4201MT
 Wire Range: AWG#16-#24 (OD3.1mm max)
 Material: Phosphor Bronze
 Finish: Tin Plated
 Thickness: 0.2mm
 Q'TY: 5,000PCS/Reel



					OPERATION	DRAW	JUDY	2015.06.07	SCALE		森康达电子有限公司 S'CONDAR ELECTRONIC LIMITED	
					~ 10 ± 0.15	DESIGN			UNIT	mm		PART NO.
					20 ~ 30 ± 0.30	CHECK	JET YU	2015.06.07	SIZE	A4	TITLE:	MOLEX4.2 MALE TERMINAL
0	05/12/27	NEW			30 ~ ± 0.50	APPROVE	HELLEN	2015.06.07	SHEET	1/1	DRAWING NO.	SCT4201
REV	DATE	MODIFICATION DESCRIPTION	CHANGE	APPROVE	Angle DIM $\pm 2'$ TOL				PROJ.			

1 2 3 4 5 6 7 8 9 10