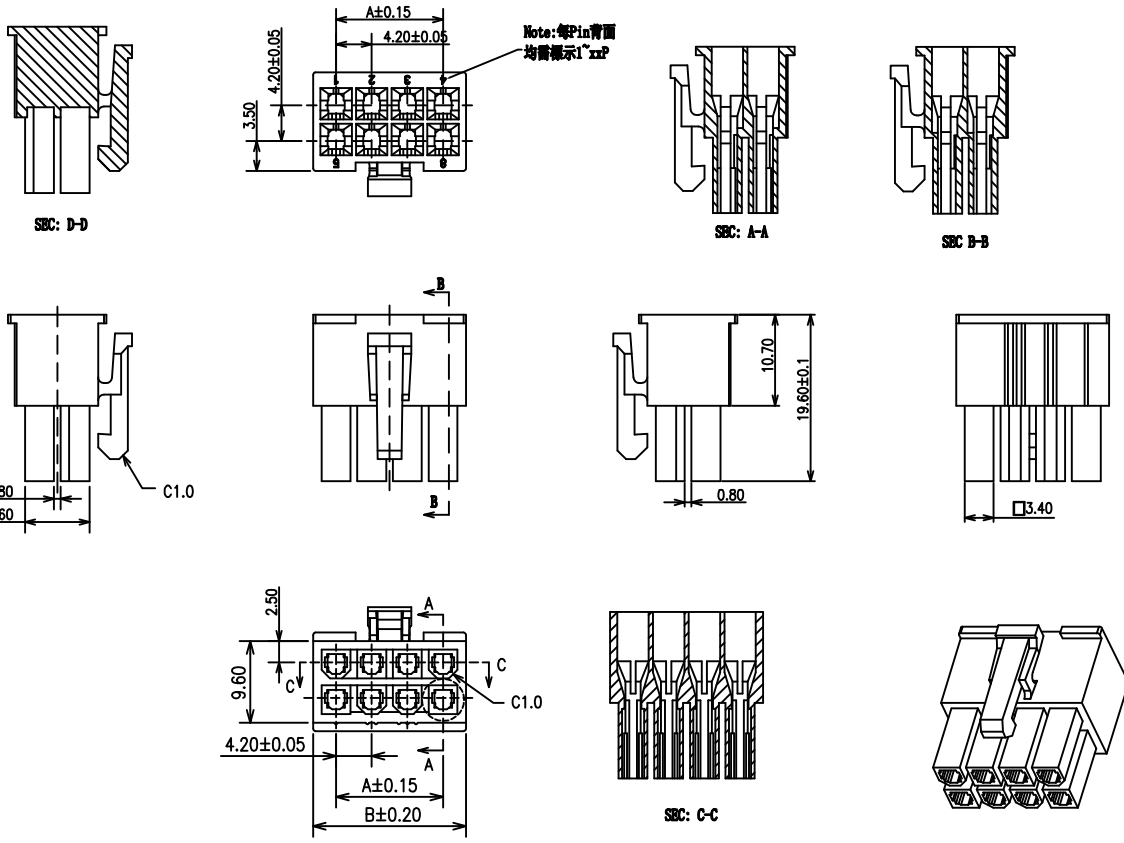


1 2 3 4 5 6 7 8 9 10

A
B
C
D
E
F
G

A
B
C
D
E
F
G



SPECIFICATIONS

Voltage Rating: 600V AC/DC
 Current Rating: 9A AC/DC
 Withstanding Voltage: 1500V AC/minute
 Insulation Resistance: 1000MΩ min.
 Temperature Range: -40° C - +105° C
 Contact Resistance: 20mΩ max

HOUSING

Part No: SCT4201MH-2xXXP
 Pole: 2x1-12
 Material: Nylon 66, UL94V-2

PART NO.	Dimensions	
	A	B
SCT4201MH-2X01P	---	5.40
SCT4201MH-2X02P	4.20	9.60
SCT4201MH-2X03P	8.40	13.80
SCT4201MH-2X04P	12.60	18.00
SCT4201MH-2X05P	16.80	22.20
SCT4201MH-2X06P	21.00	26.40
SCT4201MH-2X07P	25.20	30.60
SCT4201MH-2X08P	29.40	34.80
SCT4201MH-2X09P	33.60	39.00
SCT4201MH-2X10P	37.80	43.20
SCT4201MH-2X11P	42.00	47.40
SCT4201MH-2X12P	46.20	51.60

						OPERATION	DRAW	JUDY	2016.12.15	SCALE		森康达电子有限公司 S'CONDAR ELECTRONIC LIMITED	
						~ 10 ±0.15	DESIGN			UNIT	mm		PART NO.
						20 ~ 30 ±0.30	CHECK	MICKY	2016.12.14	SIZE	A4	TITLE:	MOLEX4.2 MALE HOUSING
						30 ~ ±0.50	APPROVE	HELLEN	2016.12.14	SHEET	1/1	DRAWING NO.	SCT4201
0	05/12/27	NEW				Angle ± 2'				PROJ.			
REV	DATE	MODIFICATION DESCRIPTION	CHANGE	APPROVE		DIM TOL							

1 2 3 4 5 6 7 8 9 10