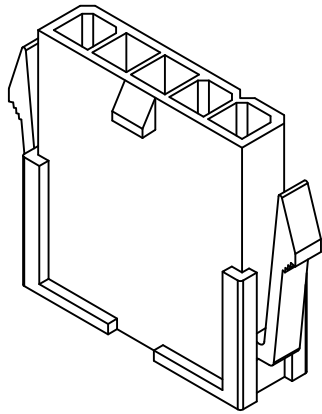
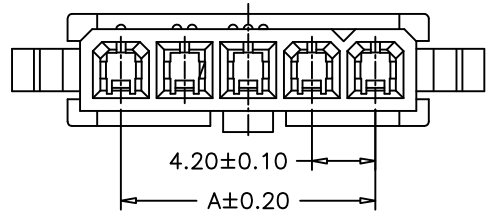


1 2 3 4 5 6 7 8 9 10

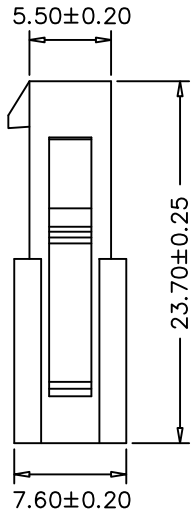
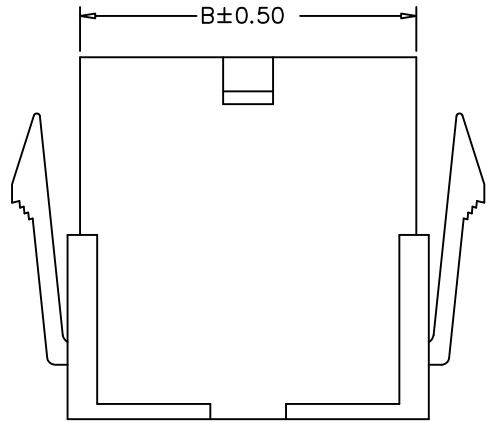
A
B
C
D
E
F
G

A
B
C
D
E
F
G



SPECIFICATIONS
 Voltage Rating: 600V AC/DC
 Current Rating: 9A AC/DC
 Withstanding Voltage: 1500V AC/minute
 Insulation Resistance: 1000MΩ min.
 Temperature Range: -25° C - +85° C
 Contact Resistance: 20mΩ max

HOUSING
 Part No: SCT4201FH-XXP
 Pole: 2-06
 Material: Nylon 66, UL94V-2



PART NO.	Dimensions	
	A	B
SCT4201FH- 02P	4.20	9.60
SCT4201FH- 03P	8.40	13.80
SCT4201FH- 04P	12.60	18.00
SCT4201FH- 05P	16.80	22.20
SCT4201FH- 06P	21.00	26.40

					OPERATION	DRAW	YANG	2016.10.27	SCALE		森康达电子有限公司 SCONDAR ELECTRONIC LIMITED	
					~ 10 ±0.15	DESIGN			UNIT	mm		
					20 ~ 30 ±0.30	CHECK	MICKY	2016.10.27	SIZE	A4	PART NO.	SCT4201FH-XXP
0	05/12/27	NEW			30 ~ ±0.50	APPROVE	ALLEN	2016.10.27	SHEET	1/1	TITLE:	MOLEX4.2 FEMALE HOUSING
REV	DATE	MODIFICATION DESCRIPTION		CHANGE	APPROVE				PROJ.		DRAWING NO.	SCT4201

1 2 3 4 5 6 7 8 9 10