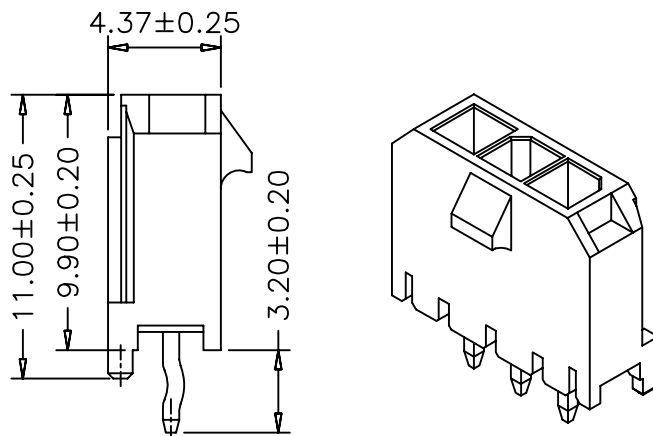
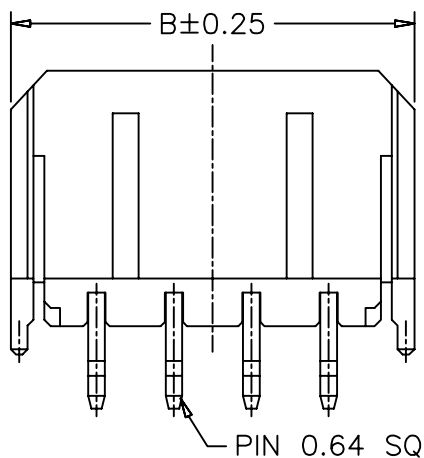


P.C.B LAYOUT



SPECIFICATIONS

Voltage Rating: 250V AC/DC

Current Rating: 5A AC/DC

Withstanding Voltage: 1500V AC/minute

Insulation Resistance: 1000MΩ min.

Temperature Range: -25° C - +85° C

Contact Resistance: 20mΩ max

WAFER

Part No: SCT3001WV-XXP

Poles: 2-12

Material: Nylon 66, UL94V-0

Pin: Brass, Tin plated

PART NO.	Dimensions	
	A	B
SCT3001WV-2P	3.00	9.65
SCT3001WV-3P	6.00	12.65
SCT3001WV-4P	9.00	15.65
SCT3001WV-5P	12.00	18.65
SCT3001WV-6P	15.00	21.65
SCT3001WV-7P	18.00	24.65
SCT3001WV-8P	21.00	27.65
SCT3001WV-9P	24.00	30.65
SCT3001WV-10P	27.00	33.65
SCT3001WV-11P	30.00	36.65
SCT3001WV-12P	33.00	39.65

REV	DATE	MODIFICATION DESCRIPTION	CHANGE	APPROVE	OPERATION	DRAW	JUDY	2007.05.09	SCALE	UNIT	mm	PART NO.	SCT3001WV-XXP
0	05/12/27	NEW			~ 10 ±0.15	DESIGN				A4		TITLE:	MOLEX3.0 180C WAFER
					20 ~ 30 ±0.30	CHECK	MICKY	2007.05.09		1/1		DRAWING NO.	SCT3001
					30 ~ ±0.50	APPROVE	HELLEN	2007.05.09					
					Angle ± 2°								
					DIM TOL								



森康达电子有限公司
S'CONDAR ELECTRONIC LIMITED