

A

B

C

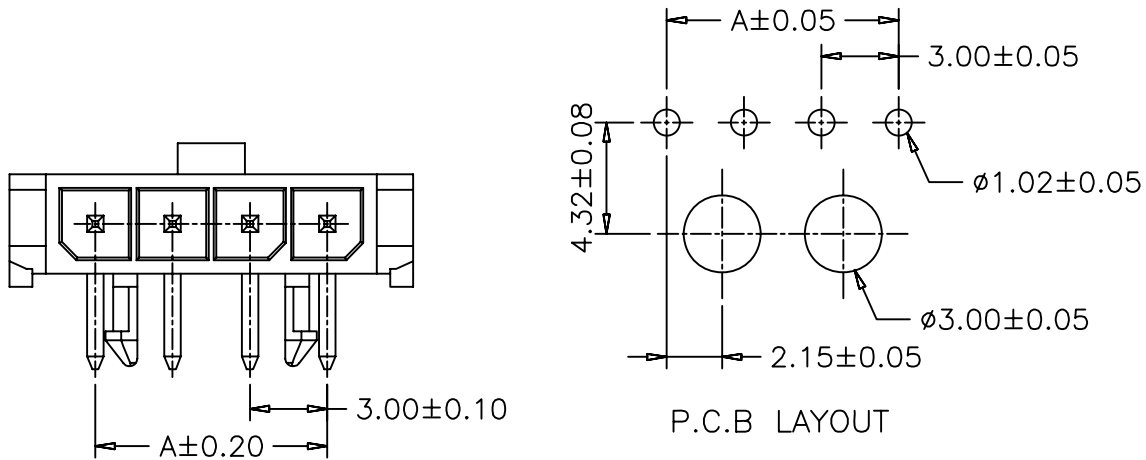
D

E

F

G

H

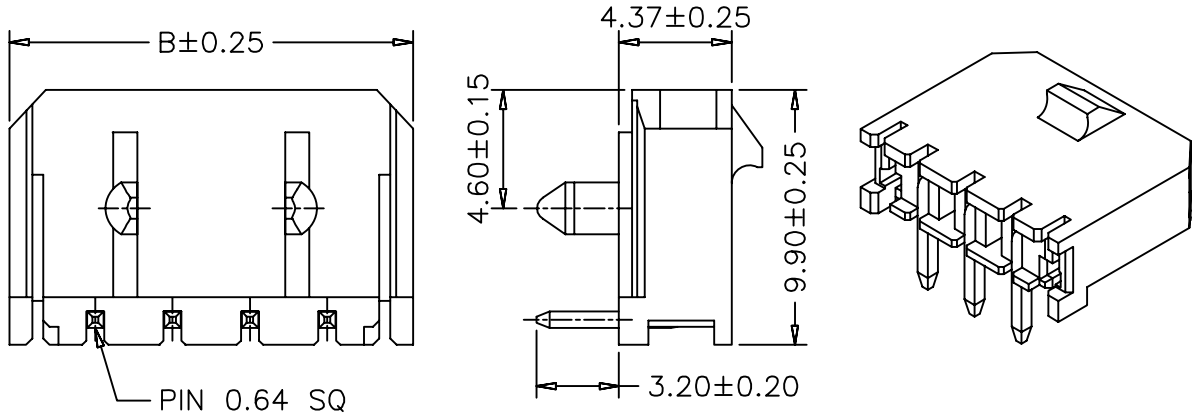


**SPECIFICATIONS**

Voltage Rating: 250V AC/DC  
 Current Rating: 5A AC/DC  
 Withstanding Voltage: 1500V AC/minute  
 Insulation Resistance: 1000MΩ min.  
 Temperature Range: -25° C - +85° C  
 Contact Resistance: 20mΩ max

**WAFER**

Part No: SCT3001WR-XXP  
 Poles: 2-12  
 Material: Nylon 66, UL94V-0  
 Pin: Brass, Tin plated



PART NO.	Dimensions	
	A	B
SCT3001WR-2P	3.00	9.65
SCT3001WR-3P	6.00	12.65
SCT3001WR-4P	9.00	15.65
SCT3001WR-5P	12.00	18.65
SCT3001WR-6P	15.00	21.65
SCT3001WR-7P	18.00	24.65
SCT3001WR-8P	21.00	27.65
SCT3001WR-9P	24.00	30.65
SCT3001WR-10P	27.00	33.65
SCT3001WR-11P	30.00	36.65
SCT3001WR-12P	33.00	39.65

					OPERATION	DRAW	JUDY	2007.05.09	SCALE		森康达电子有限公司 S'CONDAR ELECTRONIC LIMITED	
					~ 10 ±0.15	DESIGN			UNIT	mm		
					20 ~ 30 ±0.30	CHECK	MICKY	2007.05.09	SIZE	A4	PART NO.	SCT3001WR-XXP
0	05/12/27		NEW		30 ~ ±0.50	APPROVE	HELLEN	2007.05.09	SHEET	1/1	TITLE:	MOLEX3.0 90C WAFER
REV	DATE		MODIFICATION DESCRIPTION	CHANGE	APPROVE				PROJ.	◆	DRAWING NO.	SCT3001