

1 2 3 4 5 6 7 8 9 10

A

A

B

B

C

C

D

D

E

E

F

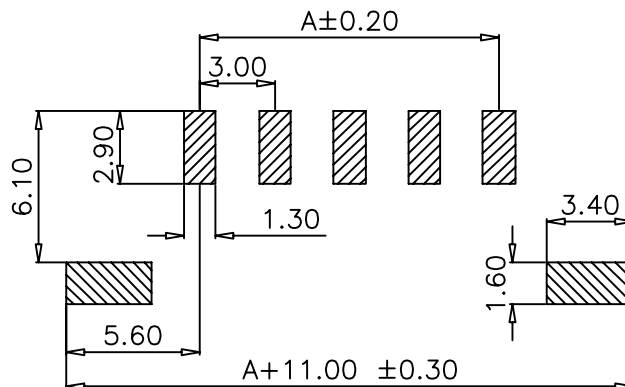
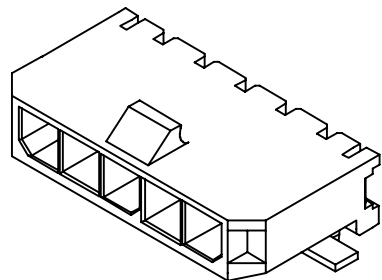
F

G

G

H

H



PCB LAYOUT

SPECIFICATIONS

Voltage Rating: 250V AC/DC

Current Rating: 5A AC/DC

Withstanding Voltage: 1500V AC/minute

Insulation Resistance: 1000MΩ min.

Temperature Range: -25° C - +85° C

Contact Resistance: 20mΩ max

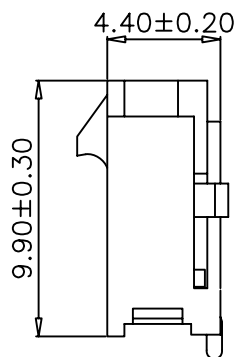
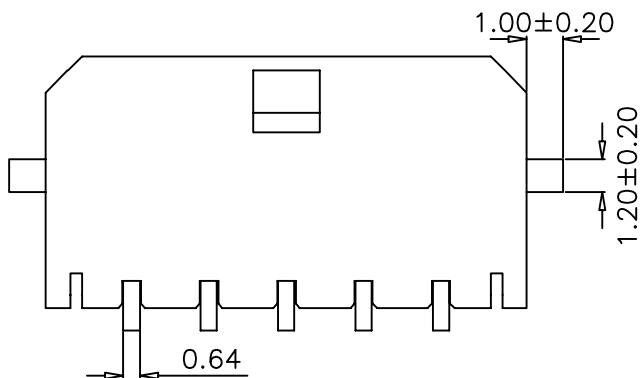
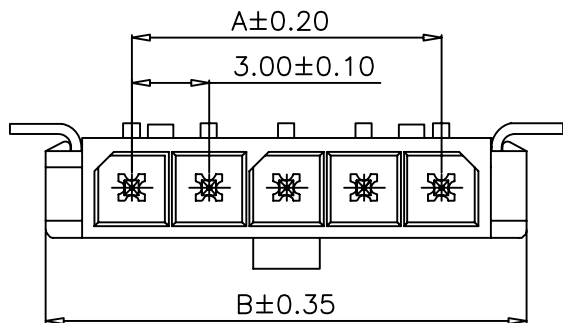
WAFER

Part No: SCT3001WR-S-XXP

Poles: 2-12

Material: Nylon 66, UL94V-0

Pin: Brass, Tin plated



PART NO.	Dimensions	
	A	B
SCT3001WR-S-2P	3.00	9.65
SCT3001WR-S-3P	6.00	12.65
SCT3001WR-S-4P	9.00	15.65
SCT3001WR-S-5P	12.00	18.65
SCT3001WR-S-6P	15.00	21.65
SCT3001WR-S-7P	18.00	24.65
SCT3001WR-S-8P	21.00	27.65
SCT3001WR-S-9P	24.00	30.65
SCT3001WR-S-10P	27.00	33.65
SCT3001WR-S-11P	30.00	36.65
SCT3001WR-S-12P	33.00	39.65

					OPERATION	DRAW	JUDY	2007.05.09	SCALE	6:1	森康达电子有限公司 SCONDAR ELECTRONIC LIMITED	
					~ 10 ±0.25	DESIGN			UNIT	mm		
					20 ~ 30 ±0.30	CHECK	MICKY	2007.05.09	SIZE	A4	PART NO.	SCT3001WR-S-XXP
0	05/12/27		NEW		30 ~ ±0.50	APPROVE	HELLEN	2007.05.09	SHEET	1/1	TITLE:	MOLEX3.0 90C SMT WAFER
REV	DATE		MODIFICATION DESCRIPTION	CHANGE	APPROVE				PROJ.		DRAWING NO.	SCT3001

1 2 3 4 5 6 7 8 9 10