

A

B

C

D

E

F

G

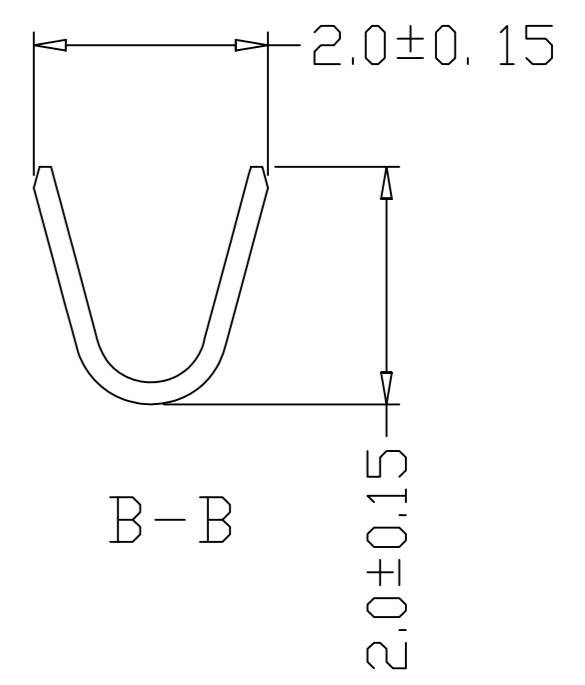
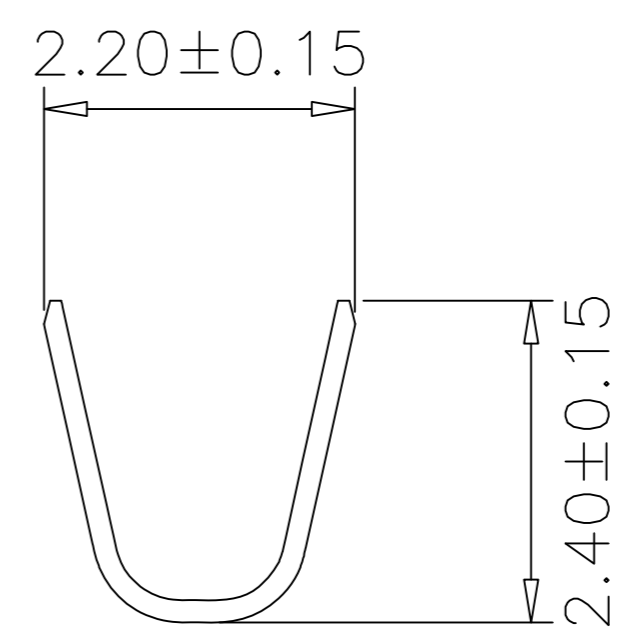
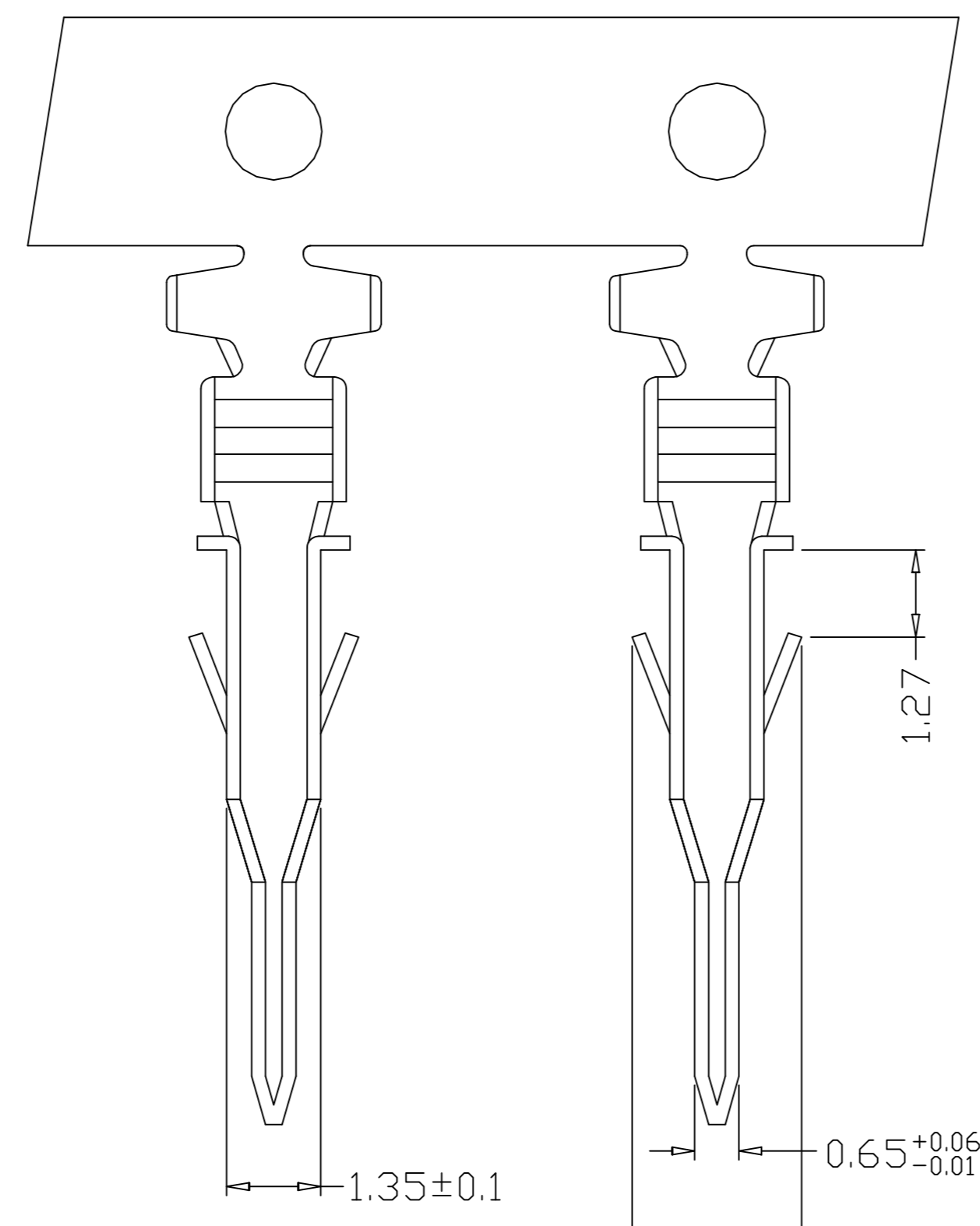
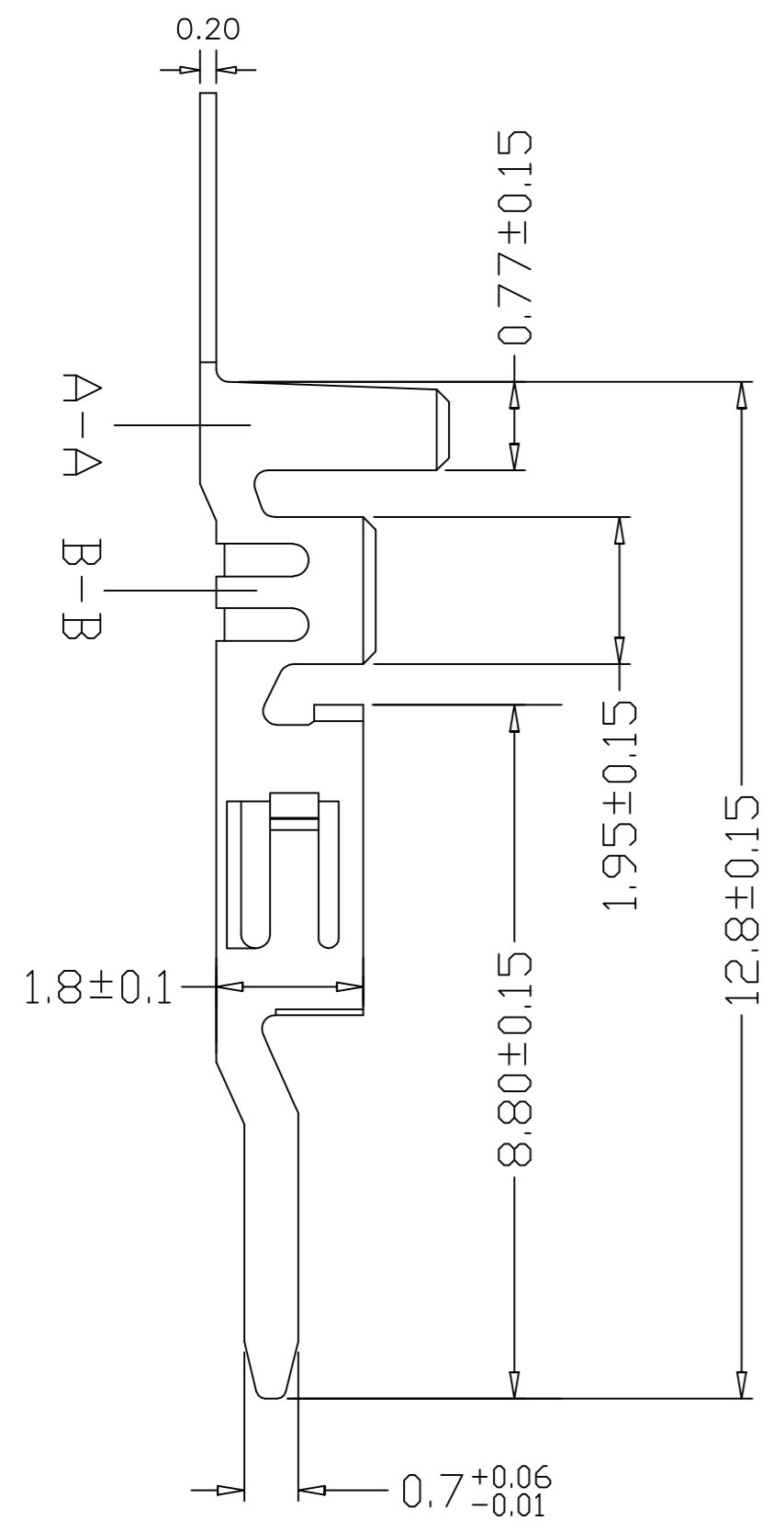
H


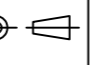
SPECIFICATIONS

Voltage Rating: 250V AC/DC
 Current Rating: 5A AC/DC
 Withstanding Voltage: 1500V AC/minute
 Insulation Resistance: 1000MΩ min.
 Temperature Range: -25° C - +85° C
 Contact Resistance: 20mΩ max

TERMINAL

Part No: SCT3001MTPB
 Wire Range: AWG#18-#24 (OD1.85mm max)
 Material: Phosphor Bronze
 Finish: Tin Plated
 Thickness: 0.2mm
 Q'TY: 10,000PCS/Reel



| | | | | | | | | | | | | |
|-----|----------|--|--------------------------|--------|---------------|---------|------------|------------|-------|---|--|---------------------|
| | | | | | OPERATION | DRAW | Judy.Huang | 2015\05\20 | SCALE | |  森康达电子有限公司 SCONDAR ELECTRONIC LIMITED | |
| | | | | | ~ 10 ±0.15 | DESIGN | | | UNIT | mm | | PART NO. |
| | | | | | 20 ~ 30 ±0.30 | CHECK | JET YU | 2015\05\20 | SIZE | A4 | TITLE: | MX3.0 MALE TERMINAL |
| 0 | 05/12/27 | | NEW | | 30 ~ ±0.50 | APPROVE | ALLEN | 2015\05\20 | SHEET | 1/1 | DRAWING NO. | SCT3001 |
| REV | DATE | | MODIFICATION DESCRIPTION | CHANGE | APPROVE | | | | PROJ. |  | | |